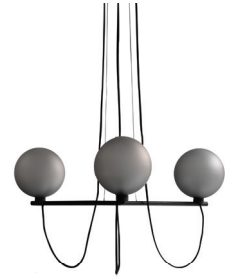


# 3 Globe Chandelier

Designed by Emil Thorup



## Description

As a family of chandeliers and floor lamp, the Globe Series is a versatile lighting series for both residential and commercial use. The cords are a piece of the design, adding an organic and feminine touch to the black powder coated steel frame and the balancing grey glass globes.

## Designer & Year

Emil Thorup 2018

## Type

Chandelier

## Use

Normal, dry, indoor environment.

## Pre assembled

No

## Materials and Production Process

Black powder coated steel frame. Mouth blown grey glass globe with matte frosted finish.

## Technical

Can be dimmable with appropriate bulbs  
Ceiling case included  
Hung using wire suspension system with 3 wires  
2.5m wire length 3.5m Cord Length  
Bulbs not included.  
3 x g9 Max 3.5W  
220 - 250V  
50/60 Hz  
IP20 Classification



## Delivery

4 Packages  
Total Gross Weight: 8.1 kg  
Total Volume: 0.14 m<sup>3</sup>  
Warranty: Standard (See T&Cs)

## Custom

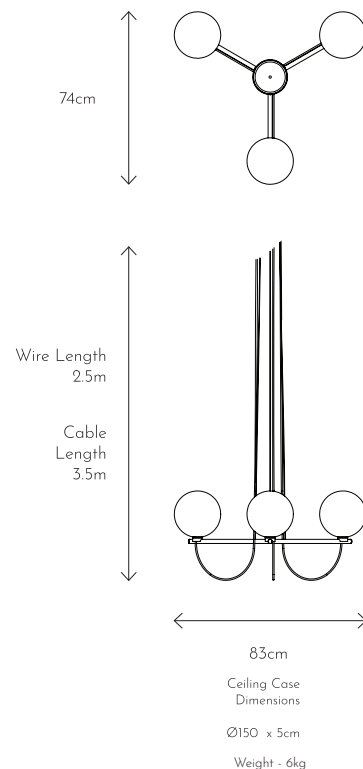
Frame colour change upon request

## Care and Maintenance

Before replacing bulb, ensure the power supply is disconnected. For your safety, if the electrical cable or components are damaged, it should be completely replaced by the manufacturer or other qualified person.

Clean with a soft dry cloth. Always switch off the electricity before cleaning.

## Glass Colour



# HANDVÄRK

HANDVÄRK ApS  
Aarhusgade 136A Nordhavn Denmark 2150  
info@handvark.com | www.handvark.com