

Dining Table 230

Designed by Emil Thorup



Description

A marble topped statement piece, that exudes luxurious Nordic appeal. The range of sleek dining tables is an ultra-modern take on a tile top table, with large pieces of Italian marble mounted in a slender steel frame, that almost defies gravity. The natural variations and veins of the marble make each table truly unique. Available in two lengths, 185 cm and 230 cm.

Designer & Year

Emil Thorup 2015

Type

Dining Table

Use

Indoor

Country of Production

Lithuania

Pre assembled

No

Materials and Production Process

TIG and MIG welded steel tubes and sheet with powder coat finish suitable for outdoor use. Optional solid brass details that will age naturally over time. Plastic Glides. Natural marble tiles with honed or polished finish.

Delivery

7 Packages

Total Gross Weight: 100.8 kg

Total Volume: 0.3 m³

Warranty: Standard (See T&Cs)

Custom

Frame colour change upon request

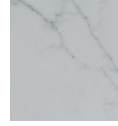
Care and Maintenance

Please visit handvark.com to find full care instructions for all materials.

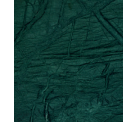
Marble Options



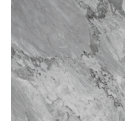
Black Marble
Honed



White Marble
Honed



Green Marble
Polished



Grey Marble
Honed

Frame Options



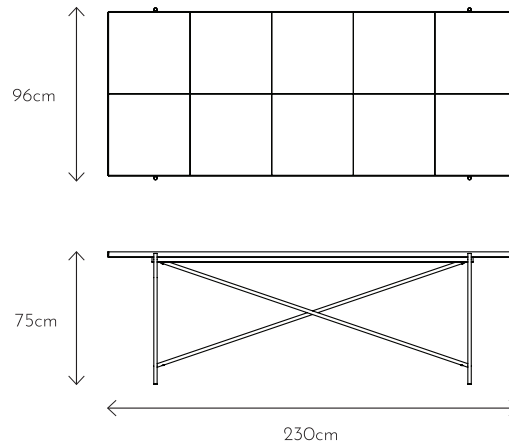
Black



Stainless
Steel



Brass Details



174cm between legs.

Weight - 95kg

HANDVÄRK

HANDVÄRK ApS

Aarhusgade 136A Nordhavn Denmark 2150

info@handvark.com | www.handvark.com