

2017 SPRING/SUMMER



VALID FROM APRIL 1ST

# **MADE BY HAND**

**DATASHEET**

**PETITE MACHINE SERIES**

---

# PETITE MACHINE SERIES



# PETITE MACHINE SERIES

CEILING 01



CEILING 02

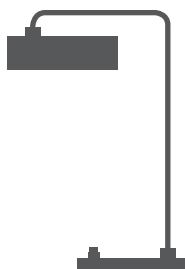
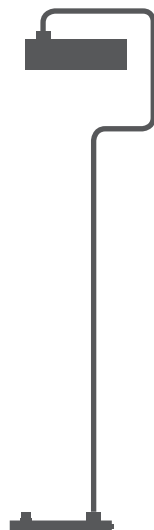


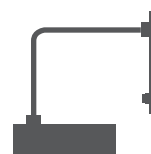
TABLE 01



FLOOR 01



WALL 01



WALL 02



WALL 03

## COLOURS



MOSS GREEN



SLATE



DEEP BLACK



OYSTER WHITE



LIGHT PINK



POLISHED BRASS

INSPIRATION



Ceiling 01, Slate

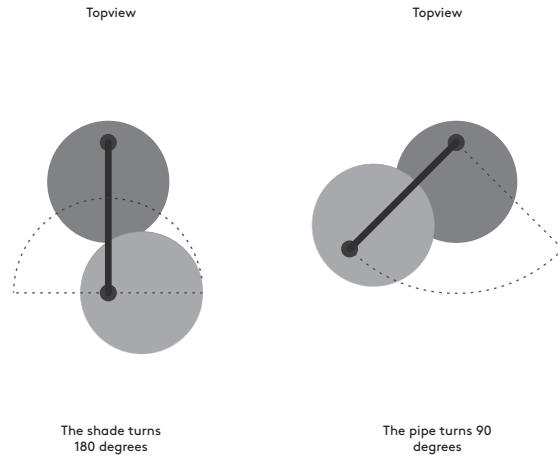


Table 01, Moss Green and Slate



Floor 01, Oyster White

**PETITE MACHINE / TABLE 01**



The Petite Machine series is a family of table, floor, wall and ceiling lamps. They are suitable for decorating all kinds of rooms and meet all lighting needs. The Petite Machine collection is manufactured by Made By Hand in a small workshop in Denmark, with the utmost attention to detailing and finish.

**Design:** Flemming Lindholdt Madsen  
**Year:** 2014  
**Material:** Steel, brass and grooved glass

Made in Denmark

**Shade and base colours**



**Measurements**

Total height: 540 mm  
 Shade height: 60 mm  
 Base height: 23 mm

Total width: 330 mm  
 Shade diameter: 207 mm  
 Base diameter: 211 mm

Cord length: 1800 mm

**Functions**

Lamp shade turns 180 degrees  
 Pipe turns 90 degrees

**Certifications**

CE-Certified  
 IP20

**Recommended Lightsource:**

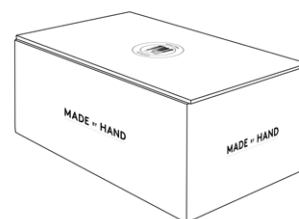
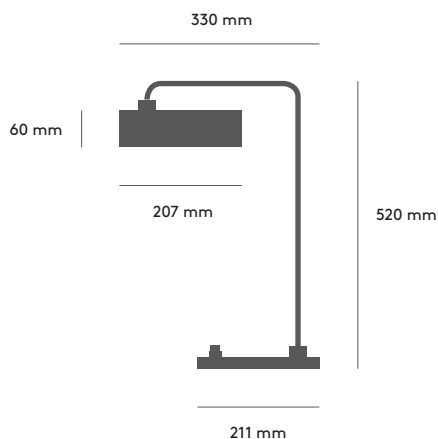
Osram Parathom Retro CL P 4,5W/827  
 Socket: E14  
 Max wattage: 60 W

**Packaging Measurements**

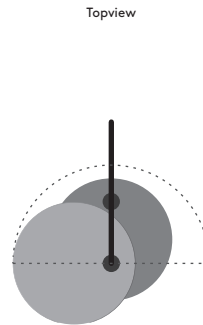
L: 300 x W: 390 x H: 570 mm

**Packaging Weight (Lamp + Packaging = total)**

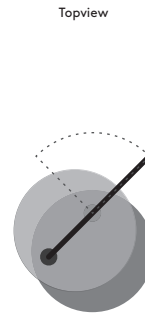
Total: 5,70 kg



PETITE MACHINE / FLOOR 01



The shade turns 180 degrees



The pipe turns 90 degrees

The Petite Machine series is a family of table, floor, wall and ceiling lamps. They are suitable for decorating all kinds of rooms and meet all lighting needs. The Petite Machine collection is manufactured by Made By Hand in a small workshop in Denmark, with the utmost attention to detailing and finish.

**Design:** Flemming Lindholdt Madsen

**Year:** 2014

**Material:** Steel, brass and grooved glass

Made in Denmark

**Shade and base colours**



**Measurements**

Total height: 1080 mm

Shade height: 60 mm

Base height: 23 mm

Total width: 315 mm

Shade diameter: 207 mm

Base diameter: 211 mm

Cord length: 1800 mm

**Functions**

Lamp shade turns 180 degrees

Pipe turns 90 degrees

**Certifications**

CE-Certified

IP20

**Recommended Lightsource:**

Osram Parathom Retro CL P 4,5W/827

Socket: E14

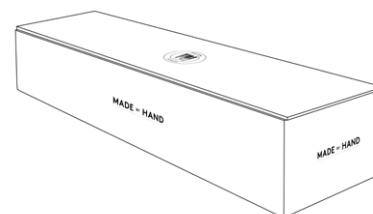
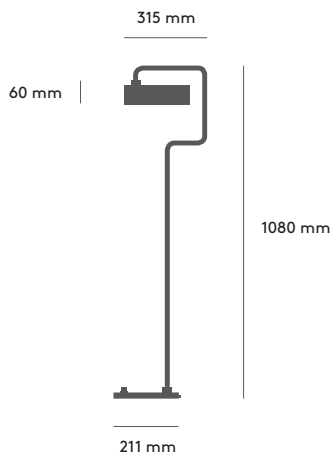
Max wattage: 60 W

**Packaging Measurements**

L: 290 x W: 380 x H: 1120 mm

**Packaging Weight (Lamp + Packaging = total)**

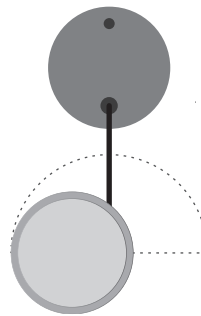
Total: 6,70 kg



**PETITE MACHINE / WALL 01**



Frontview



The shade turns 180 degrees

The Petite Machine series is a family of table, floor, wall and ceiling lamps. They are suitable for decorating all kinds of rooms and meet all lighting needs. The Petite Machine collection is manufactured by Made By Hand in a small workshop in Denmark, with the utmost attention to detailing and finish.

**Design:** Flemming Lindholdt Madsen

**Year:** 2014

**Material:** Steel, brass and grooved glass

Made in Denmark

**Shade and base colours**



Moss Green

Slate

Deep Black

Oyster White

Light Pink

**Measurements**

Total height: 590 mm

Shade height: 60 mm

Base height: 23 mm

Total width: 220 mm

Shade diameter: 207 mm

Base diameter: 211 mm

Cord length: 1800 mm

**Functions**

Lamp shade turns 180 degrees

Pipe fixed in base

**Certifications**

CE-Certified

IP20

**Recommended Lightsource:**

Osram Parathom Retro CL P 4,5W/827

Socket: E14

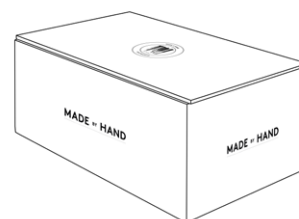
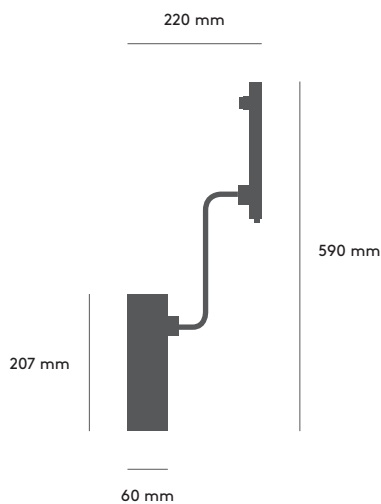
Max wattage: 60 W

**Packaging Measurements**

L: 290 x W: 280 x H: 610 mm

**Packaging Weight (Lamp + Packaging = total)**

Total: 4,00 kg

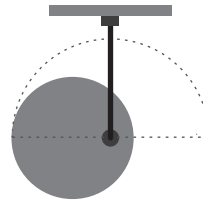




PETITE MACHINE / WALL 02



Topview



The shade turns 180 degrees

The Petite Machine series is a family of table, floor, wall and ceiling lamps. They are suitable for decorating all kinds of rooms and meet all lighting needs. The Petite Machine collection is manufactured by Made By Hand in a small workshop in Denmark, with the utmost attention to detailing and finish.

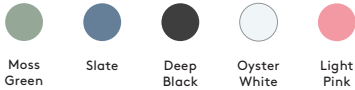
**Design:** Flemming Lindholdt Madsen

**Year:** 2014

**Material:** Steel, brass and grooved glass

Made in Denmark

**Shade and base colours**



Moss Green

Slate

Deep Black

Oyster White

Light Pink

**Measurements**

Total height: 300 mm

Shade height: 60 mm

Base height: 22 mm

Total width: 290 mm

Shade diameter: 207 mm

Base diameter: 211 mm

Cord length: 1800 mm

**Functions**

Lamp shade turns 180 degrees

Pipe fixed in base

**Certifications**

CE-Certified

IP20

**Recommended Lightsource:**

Osram Parathom Retro CL P 4,5W/827

Socket: E14

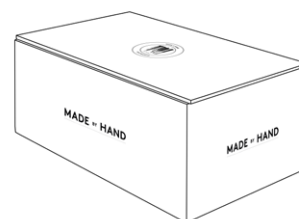
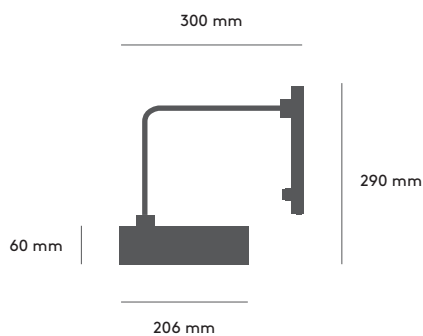
Max wattage: 60 W

**Packaging Measurements**

L: 270 x W: 370 x H: 410 mm

**Packaging Weight (Lamp + Packaging = total)**

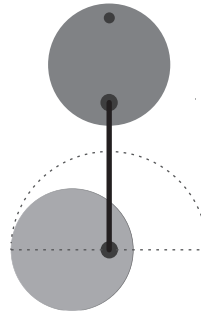
Total: 2,75 kg



PETITE MACHINE / WALL 03



Frontview



The shade turns 180 degrees

The Petite Machine series is a family of table, floor, wall and ceiling lamps. They are suitable for decorating all kinds of rooms and meet all lighting needs. The Petite Machine collection is manufactured by Made By Hand in a small workshop in Denmark, with the utmost attention to detailing and finish.

**Design:** Flemming Lindholdt Madsen

**Year:** 2014

**Material:** Steel, brass and grooved glass

Made in Denmark

Shade and base colours



Measurements

Total height: 590 mm

Shade height: 60 mm

Base height: 22 mm

Total width: 300 mm

Shade diameter: 207 mm

Base diameter: 211 mm

Cord length: 1800 mm

Functions

Lamp shade turns 180 degrees

Pipe fixed in base

Certifications

CE-Certified

IP20

Recommended Lightsource:

Osram Parathom Retro CL P 4,5W/827

Socket: E14

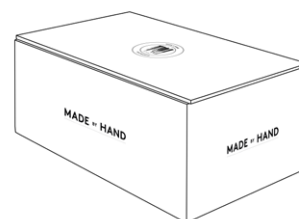
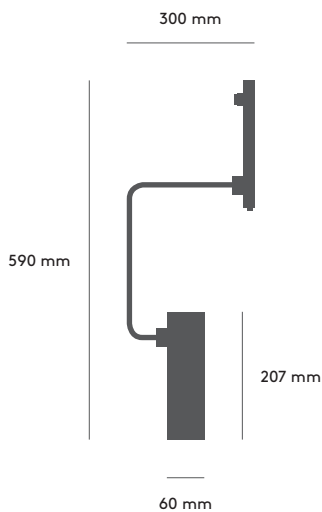
Max wattage: 60 W

Packaging Measurements

L: 290 x W: 280 x H: 610 mm

Packaging Weight (Lamp + Packaging = total)

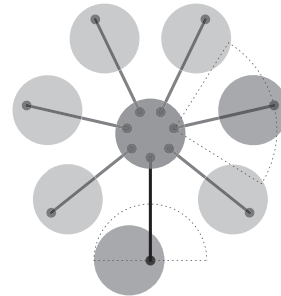
Total: 4,05 kg



**PETITE MACHINE / CEILING 01**



Topview



Each shade turns 180 degrees    Each pipe turns 90 degrees

The Petite Machine series is a family of table, floor, wall and ceiling lamps. They are suitable for decorating all kinds of rooms and meet all lighting needs. The Petite Machine collection is manufactured by Made By Hand in a small workshop in Denmark, with the utmost attention to detailing and finish.

**Design:** Flemming Lindholdt Madsen  
**Year:** 2014  
**Material:** Steel, brass and grooved glass

Made in Denmark

**Shade and base colours**



**Measurements**

Total height: 260 mm                      Total width: 1180 mm  
 Shade height: 60 mm                      Shade diameter: 207 mm  
 Base height: 22 mm                          Base diameter: 211 mm

Cord : Hardwired

**Functions - Optional**

Lamp shade turns 180 degrees  
 Pipe turns 90 degrees

**Certifications**

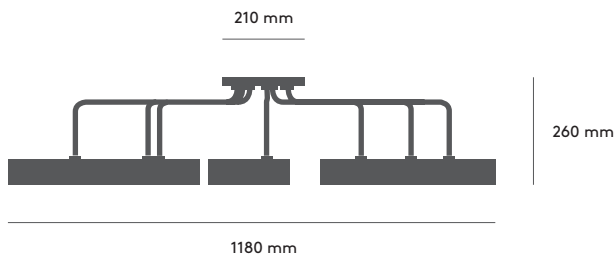
CE-Certified  
 IP20

**Recommended Lightsource:**

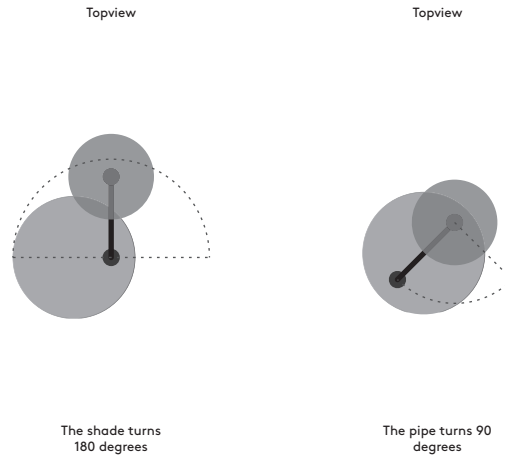
Osram Parathom Retro CL P 4,5W/827  
 Socket: E14  
 Max wattage: 60 W

**Lamp Weight**

Total: 16 kg



PETITE MACHINE / CEILING 02



The Petite Machine series is a family of table, floor, wall and ceiling lamps. They are suitable for decorating all kinds of rooms and meet all lighting needs. The Petite Machine collection is manufactured by Made By Hand in a small workshop in Denmark, with the utmost attention to detailing and finish.

**Design:** Flemming Lindholdt Madsen  
**Year:** 2014  
**Material:** Steel, brass and grooved glass

Made in Denmark

**Shade and base colours**



**Measurements**

Total height: 810 mm  
 Shade height: 60 mm  
 Base height: 21 mm

Total width: 240 mm  
 Shade diameter: 207 mm  
 Base diameter: 120 mm

Cord : Hardwired

**Functions**

Lamp shade turns 180 degrees  
 Pipe turns 90 degrees

**Certifications**

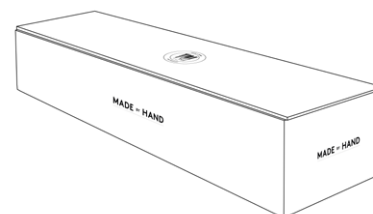
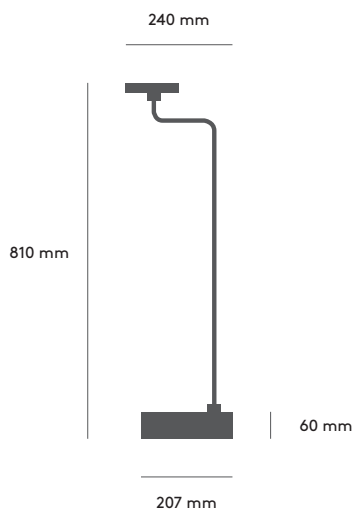
CE-Certified  
 IP20

**Recommended Lightsource**

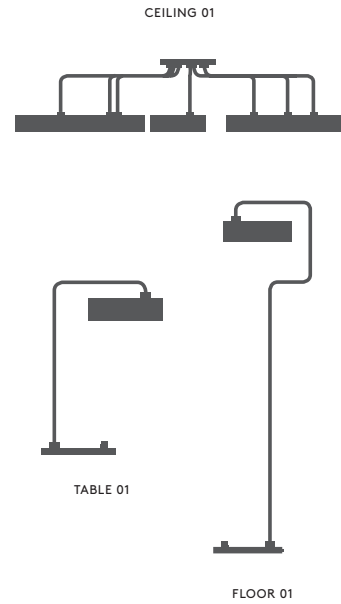
Osram Parathom Retro CL P 4,5W/827  
 Socket: E14  
 Max wattage: 60 W

**Lamp Weight**

Total: 6,1 kg



## PETITE MACHINE / BRASS EDITION

**BRASS EDITION**

The exclusive all-brass edition of Petite Machine is polished to a mirrorfinish. This finish can be attained again and again over time by hand polishing.

Brass is a living material and the all-brass edition of Petite Machine will patinate in a natural way over time, giving it a slightly darker and warmer look.

Made in Denmark

# MADE BY HAND

---

## GET IN TOUCH

MADE by HAND ApS  
Tømmergravsgade 4B  
2450 Copenhagen SV  
Denmark

info@madebyhand.dk  
+45 70 20 84 64

## LATEST NEWS

More at  
[www.madebyhand.dk](http://www.madebyhand.dk)

