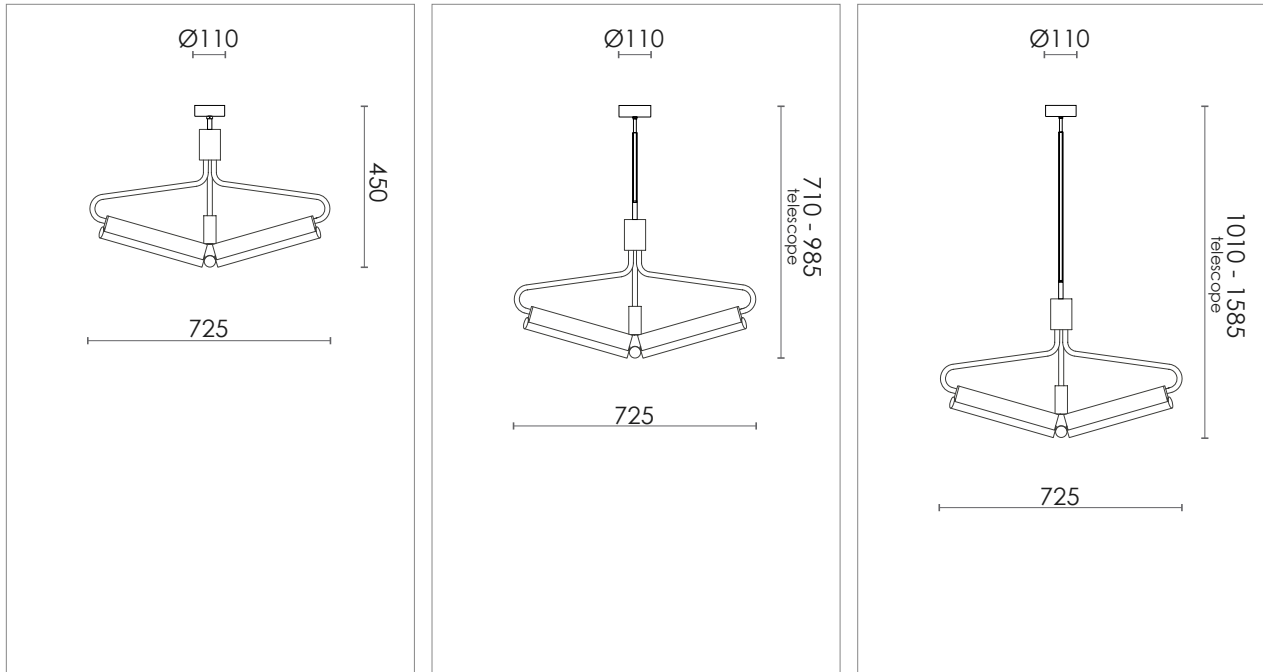


ANGEL 3 300 WIDE CHANDELIER



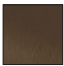
DESIGN SPECIFICATIONS

DIMENSIONS (mm)	W 725 x H 450 W 725 x H 710-985 W 725 x H 1010-1585
WEIGHT (kg)	- / - / -
MATERIALS	THE LAMP IS MADE FROM CLEAR LACQURED BRASS, STEEL OR POWDER COATED STEEL.
CORD (mm)	NO
ENVIRONMENT	INDOOR
DESIGN BY	NICLAS HOFLIN
DESIGN YEAR	2019

ELECTRICAL SPECIFICATIONS

SWITCH	NO
BULB HOLDER	S14S
LIGHT SOURCE	INCLUDED 3 X 4,5 W DIMMABLE LED - 2700 K
DIMMABLE	YES
MAX (W)	13,5 W LED
VOLTAGE	230 / 240
CLASS	1
IP	20

COLOURS

	BLACK H 640 ART.NO. 914131005	H 905-1180 ART.NO. 914132005	H 1205-1780 ART.NO. 914133005
	BRASS H 640 ART.NO. 914131001	H 905-1180 ART.NO. 914132001	H 1205-1780 ART.NO. 914133001
	BRONZE-COLOR H 640 ART.NO. 914131223	H 905-1180 ART.NO. 914132223	H 1205-1780 ART.NO. 914133223
	STEEL H 640 ART.NO. 914131500	H 905-1180 ART.NO. 914132500	H 1205-1780 ART.NO. 914133500