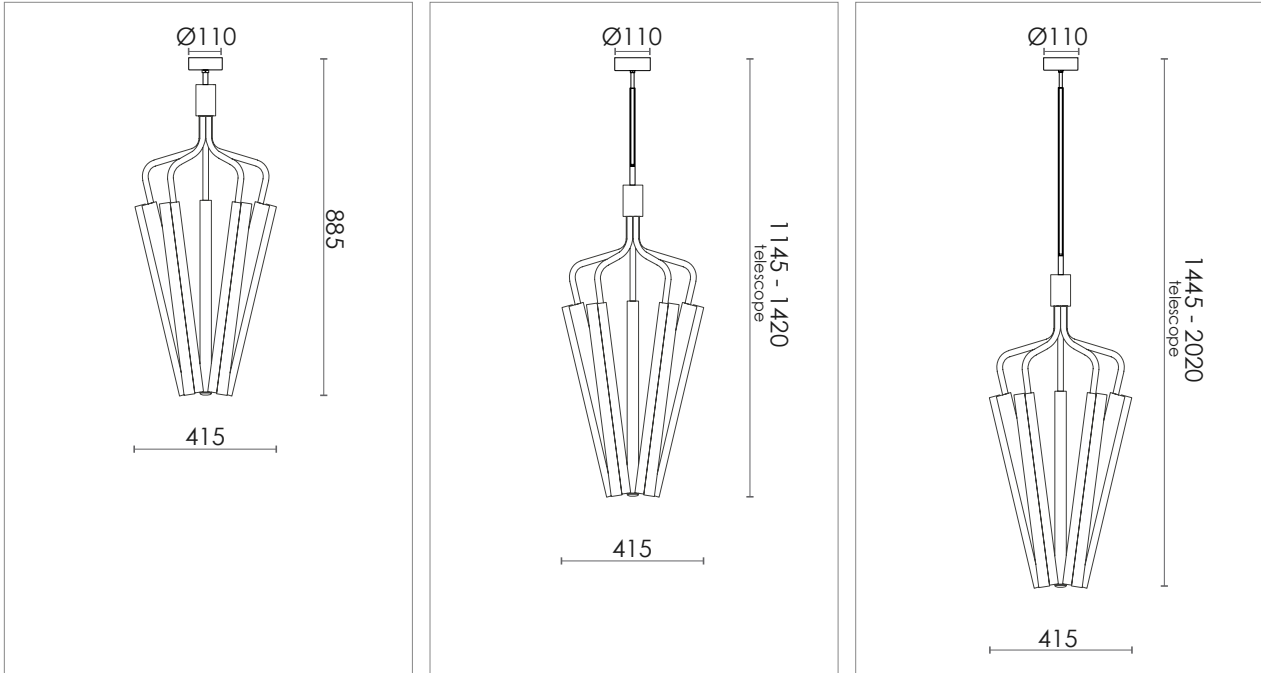


# ANGEL 5 500 CHANDELIER




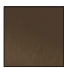

## DESIGN SPECIFICATIONS

<b>DIMENSIONS (mm)</b>	W 415 x H 885 W 415 x H 1145-1420 W 415 x H 1445-2020
<b>WEIGHT (kg)</b>	- / - / -
<b>MATERIALS</b>	THE LAMP IS MADE FROM CLEAR LACQURED BRASS, STEEL OR POWDER COATED STEEL.
<b>CORD (mm)</b>	NO
<b>ENVIRONMENT</b>	INDOOR
<b>DESIGN BY</b>	NICLAS HOFLIN
<b>DESIGN YEAR</b>	2019

## ELECTRICAL SPECIFICATIONS

<b>SWITCH</b>	NO
<b>BULB HOLDER</b>	S14S
<b>LIGHT SOURCE</b>	INCLUDED 5 X 4,5 W DIMMABLE LED - 2700 K
<b>DIMMABLE</b>	YES
<b>MAX (W)</b>	22,5 W LED
<b>VOLTAGE</b>	230 / 240
<b>CLASS</b>	1
<b>IP</b>	20

## COLOURS

	<b>BLACK</b> H 640 ART.NO. 915151005	<b>H 905-1180</b> ART.NO. 915152005	<b>H 1205-1780</b> ART.NO. 915153005
	<b>BRASS</b> H 640 ART.NO. 915151001	<b>H 905-1180</b> ART.NO. 915152001	<b>H 1205-1780</b> ART.NO. 915153001
	<b>BRONZE-COLOR</b> H 640 ART.NO. 915151223	<b>H 905-1180</b> ART.NO. 915152223	<b>H 1205-1780</b> ART.NO. 915153223
	<b>STEEL</b> H 640 ART.NO. 915151500	<b>H 905-1180</b> ART.NO. 915152500	<b>H 1205-1780</b> ART.NO. 915153500