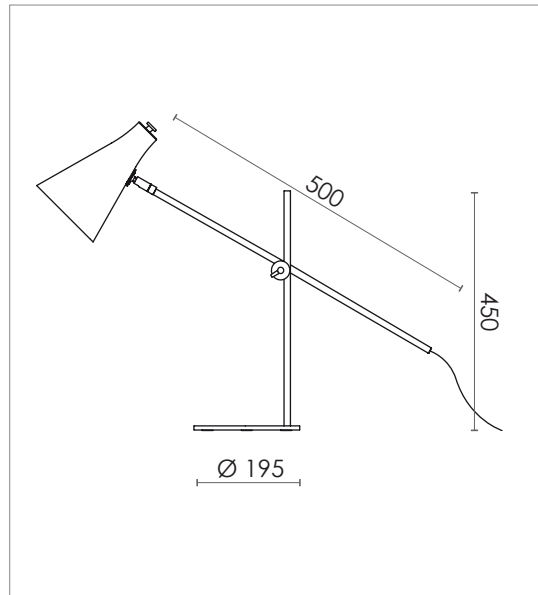


# HUNTER DESK

## DESIGN SPECIFICATIONS

<b>DIMENSIONS (mm)</b>	H 450 x W ADJUSTABLE ARM 500 SHADE Ø 170
<b>WEIGHT (kg)</b>	-
<b>MATERIALS</b>	THE LAMP IS MADE FROM POWDER COATED STEEL.
<b>CORD (mm)</b>	BLACK TEXTILE - L 2800
<b>ENVIRONMENT</b>	INDOOR
<b>DESIGN BY</b>	NICLAS HOFLIN
<b>DESIGN YEAR</b>	2013



## ELECTRICAL SPECIFICATIONS

<b>SWITCH</b>	DIMMER ON LAMP
<b>BULB HOLDER</b>	E27
<b>LIGHT SOURCE</b>	INCLUDED 8,5 W LED - 2700 K
<b>DIMMABLE</b>	YES
<b>MAX (W)</b>	10 W LED
<b>VOLTAGE</b>	230 / 240
<b>CLASS</b>	2
<b>IP</b>	20

## COLOURS

	<b>BLACK GREY</b>	ART.NO. 800111050
	<b>GREY BLUE</b>	ART.NO. 800111015
	<b>SILK GREY</b>	ART.NO. 800111010