

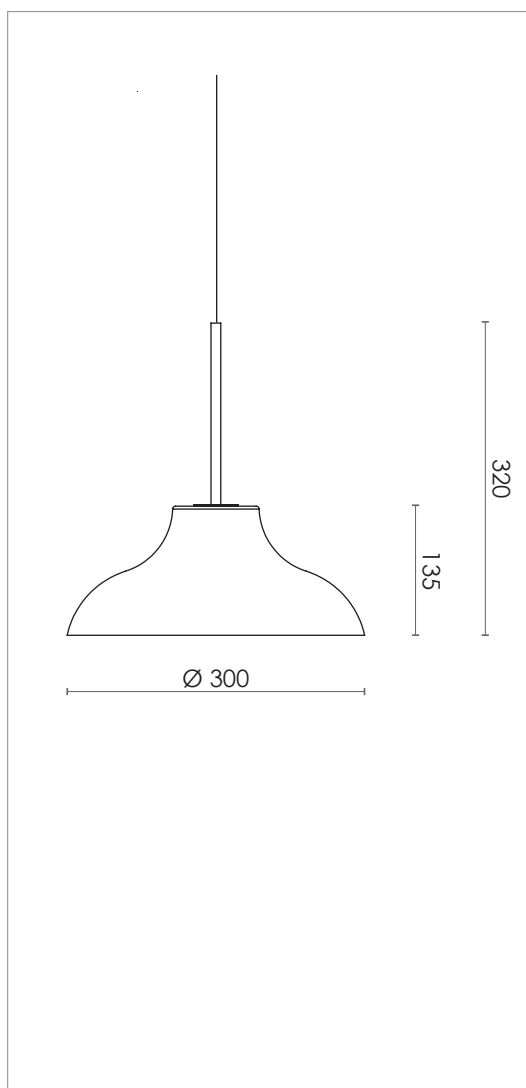
BOLERO PENDANT SMALL

DESIGN SPECIFICATIONS



| | |
|------------------------|---|
| DIMENSIONS (mm) | H 320x W Ø 300 |
| WEIGHT (kg) | 2,0 |
| MATERIALS | THE LAMP IS MADE FROM CLEAR LACQURED BRASS, STEEL OR POWDER COATED STEEL. |
| CORD (mm) | BLACK TEXTILE - L 3800 |
| ENVIRONMENT | INDOOR |
| DESIGN BY | NICLAS HOFLIN |
| DESIGN YEAR | 2008 |

ELECTRICAL SPECIFICATIONS

| | |
|---------------------|--|
| SWITCH | NO |
| BULB HOLDER | NO |
| LIGHT SOURCE | INTERGRATED 10 W DIMMABLE LED - 3000 K |
| DIMMABLE | YES |
| MAX (W) | 10 W LED |
| VOLTAGE | 230 / 240 |
| CLASS | 1 |
| IP | 20 |



COLOURS

| | | |
|---|-------------------------|-------------------|
|  | BLACK | ART.NO. 311506005 |
|  | STEEL | ART.NO. 311505500 |
|  | BLACK/BRASS | ART.NO. 311505005 |
|  | WHITE/BRASS | ART.NO. 311505303 |
|  | UMBRA GREY/STEEL | ART.NO. 311505026 |