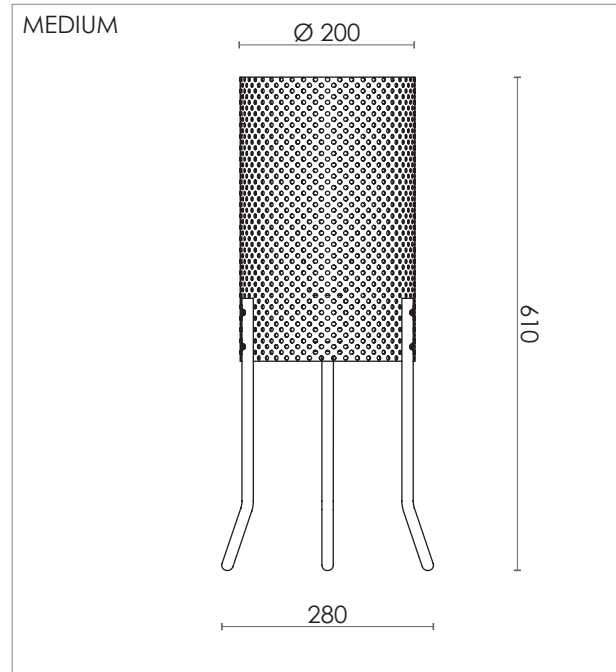
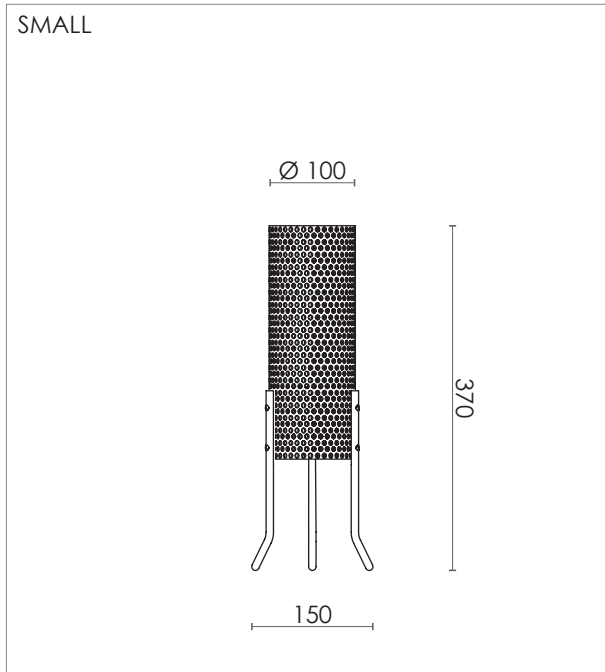


VOUGE TRIPOD TABLE





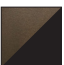
DESIGN SPECIFICATIONS

DIMENSIONS (mm)	W 150 x H 370 - SHADE Ø 100 W 280 x H 610 - SHADE Ø 200
WEIGHT (kg)	1,0 / 2,5
MATERIALS	THE LAMP IS MADE FROM CLEAR LACQURED BRASS OR POWDER COATED STEEL
CORD (mm)	BLACK TEXTILE - L 1900
ENVIRONMENT	INDOOR
DESIGN BY	NICLAS HOFLIN
DESIGN YEAR	2015

ELECTRICAL SPECIFICATIONS

SWITCH	DIMMER ON CABLE
BULB HOLDER	E27
LIGHT SOURCE	INCLUDED DIMMABLE 6 W LED - 2700K
DIMMABLE	YES
MAX (W)	12 W LED
VOLTAGE	230 / 240
CLASS	2
IP	20

COLOURS

	BLACK/ BRASS	SMALL ART.NO. 511161005	MEDIUM ART.NO. 511164005
	WHITE/ BRASS	SMALL ART.NO. 511161303	MEDIUM ART.NO. 511164303
	BRONZE- COLOR/ BLACK	SMALL ART.NO. 511161223	MEDIUM ART.NO. 511164223