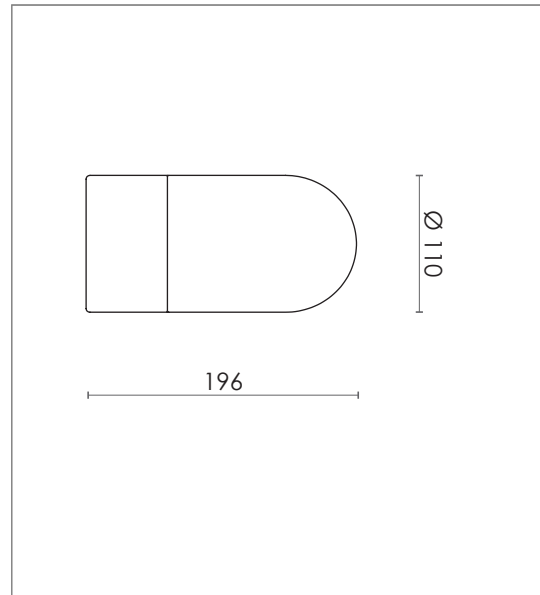


VOX WALL DIRECT

DESIGN SPECIFICATIONS

DIMENSIONS (mm)	W 196 x W Ø 110
WEIGHT (kg)	1,1
MATERIALS	THE LAMP IS MADE FROM GLASS, CLEAR LACQURED BRASS OR POWDER COATED STEEL
CORD (mm)	NO
ENVIRONMENT	INDOOR
DESIGN BY	NICLAS HOFLIN
DESIGN YEAR	2012



ELECTRICAL SPECIFICATIONS

SWITCH	NO
BULB HOLDER	E27
LIGHT SOURCE	INCLUDED DIMMABLE 8,5 W LED - 2700 K
DIMMABLE	YES
MAX (W)	10 W LED
VOLTAGE	230 / 240
CLASS	1
IP	21

COLOURS



BRASS / OPAL GLASS

ART.NO. 700200001