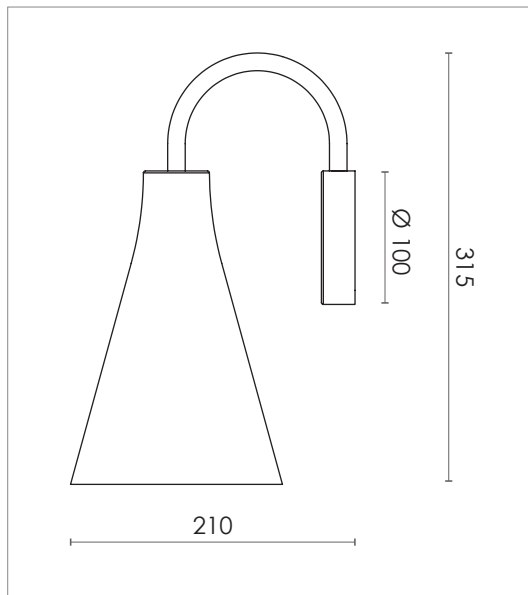


HUNTER WALL GOOSENECK OUTDOOR

DESIGN SPECIFICATIONS

DIMENSIONS (mm)	H 315 x W 210 - SHADE Ø 170
WEIGHT (kg)	1,2
MATERIALS	THE LAMP IS MADE FROM CLEAR LAQUERED COPPER.
CORD (mm)	NO
ENVIRONMENT	INDOOR
DESIGN BY	NICLAS HOFLIN
DESIGN YEAR	2015



ELECTRICAL SPECIFICATIONS

SWITCH	NO
BULB HOLDER	E27
LIGHT SOURCE	INCLUDED 7 W LED - 2700 K
DIMMABLE	YES
MAX (W)	10 W LED
VOLTAGE	230 / 240
CLASS	1
IP	44

COLOURS



ART.NO. 800217035