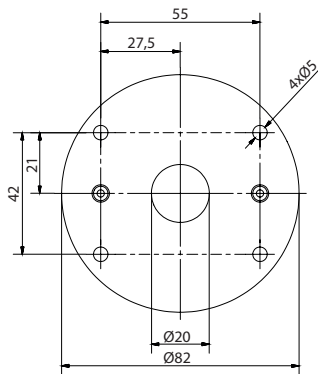


Rubn®

DESIGN NICLAS HOFLIN

— INSTALLATION INSTRUCTION —

MILLER WALL



1. Attach wall plate by using 4 screws (included).
Make sure that the plate is mounted straight.
2. Attach wall cup to wall plate by using 2 screws (included)

