

Coffee Table 90

Designed by Emil Thorup



Description

The large and low coffee table serves as an ultra-modern version of the classic tile top table. With four pieces of Italian marble mounted in a slender metal frame, this table is a timeless piece. Available in four marble variations with or without our solid brass detail to fit any style.

Designer & Year

Emil Thorup 2015

Type

Coffee Table

Use

Indoor

Country of Production

Lithuania

Pre assembled

No

Materials and Production Process

TIG and MIG welded steel tubes and sheet with powder coat finish suitable for outdoor use. Optional solid brass details that will age naturally over time. Plastic Glides. Natural marble tiles with honed or polished finish.

Delivery

3 Packages

Total Gross Weight: 46 kg

Total Volume: 0.35 m³

Warranty: Standard (See T&Cs)

Custom

Frame colour change upon request

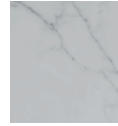
Care and Maintenance

Please visit handvark.com to find full care instructions for all materials.

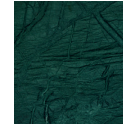
Marble Options



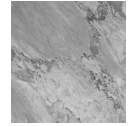
Black Marble
Honed



White Marble
Honed



Green Marble
Polished



Grey Marble
Honed

Frame Options



Black



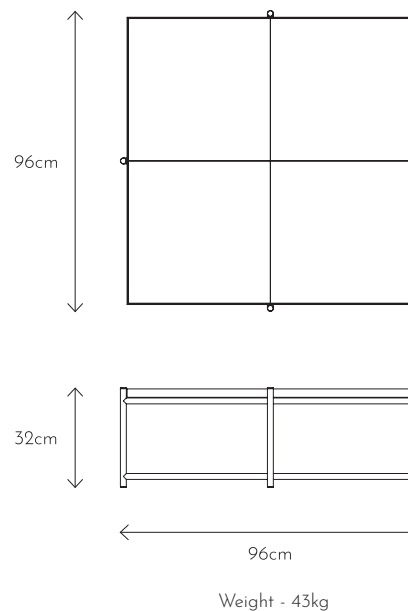
White



Stainless
Steel



Brass Details



HANDVÄRK

HANDVÄRK ApS
Aarhusgade 136A Nordhavn Denmark 2150
info@handvark.com | www.handvark.com