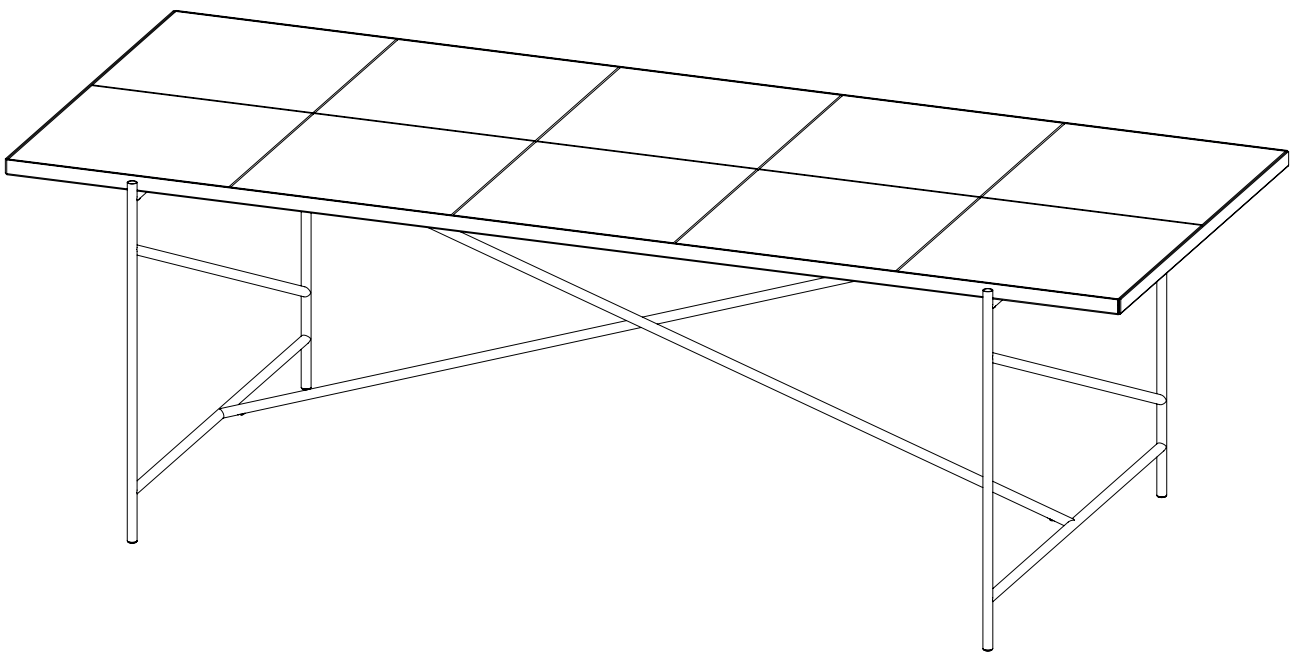


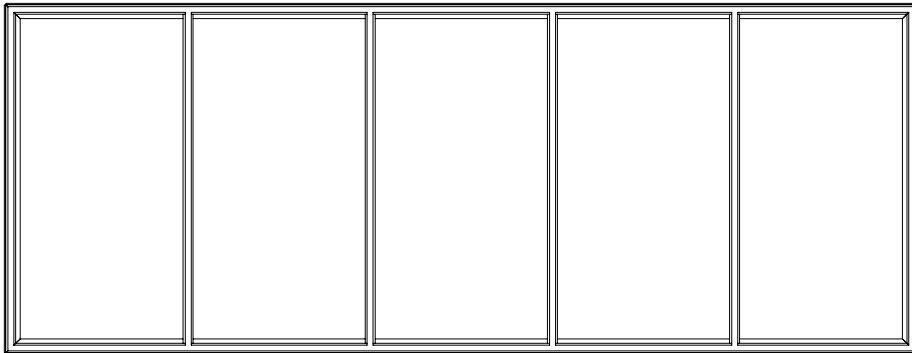
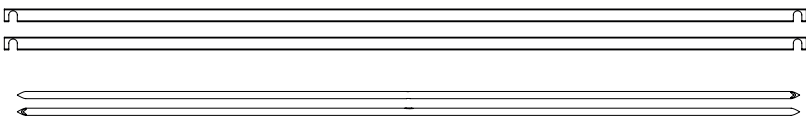
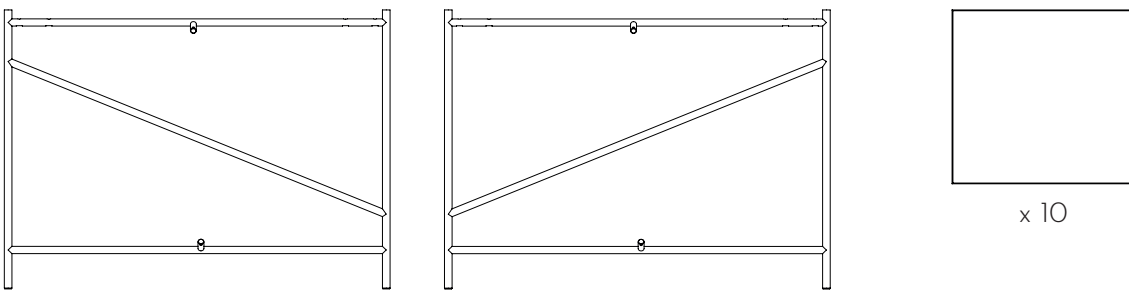
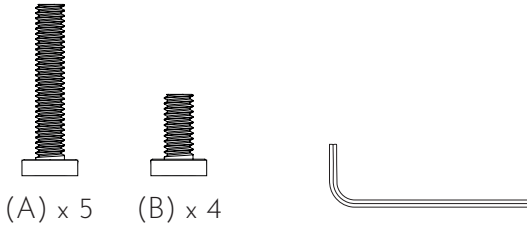
HANDVÄRK



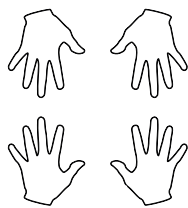
Dining Table 230
Assembly Instructions

HANDVÄRK

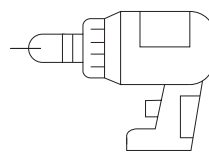
Dining Table 230



Recommendation



2 People

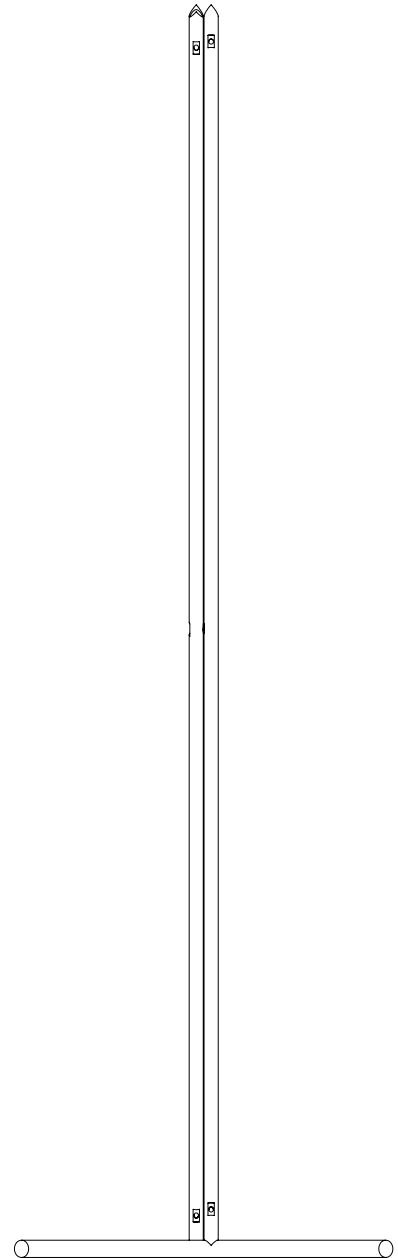
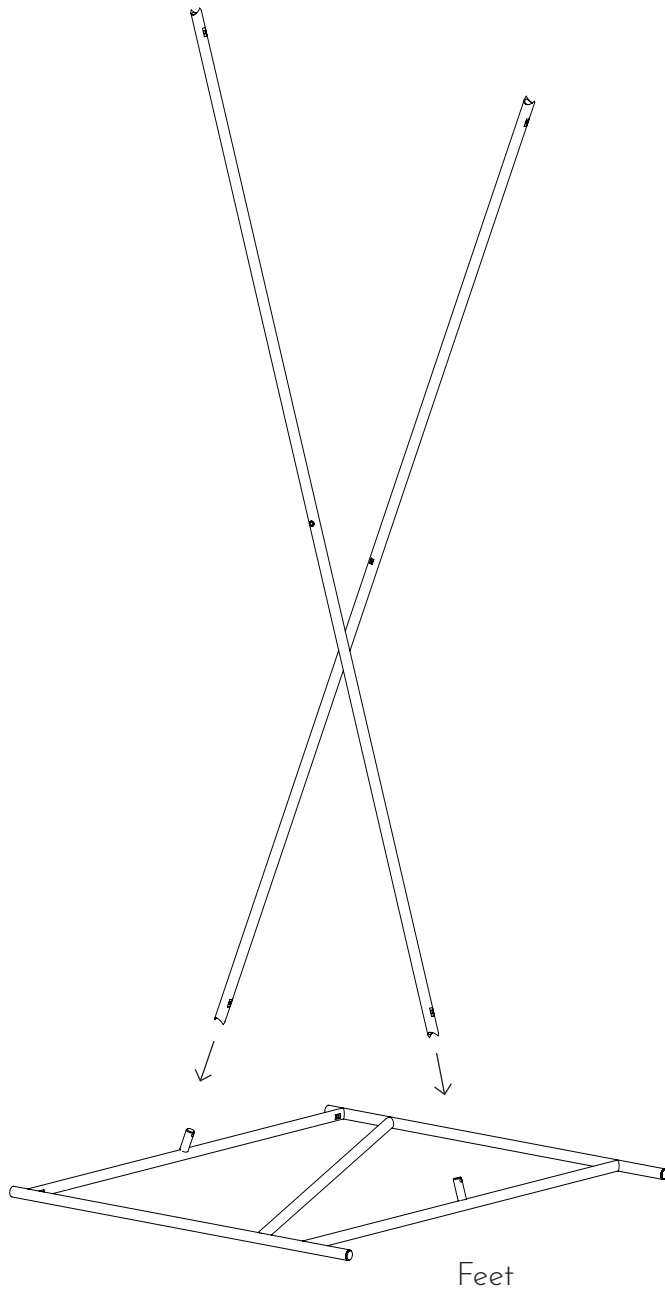


Hand Drill

HANDVÄRK

Dining Table 230

1

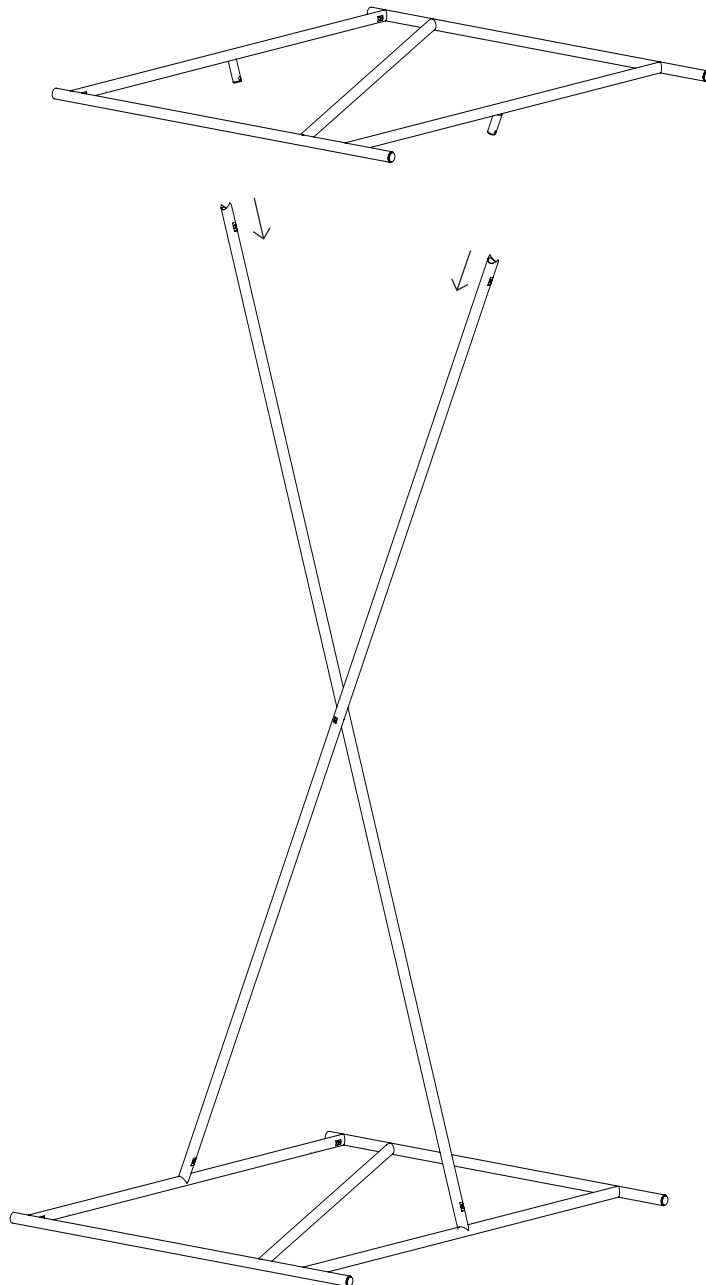


Place the cross bars on the taps so all holes are pointing towards the feet. The bars should not cross over each other.

HANDVÄRK

Dining Table 230

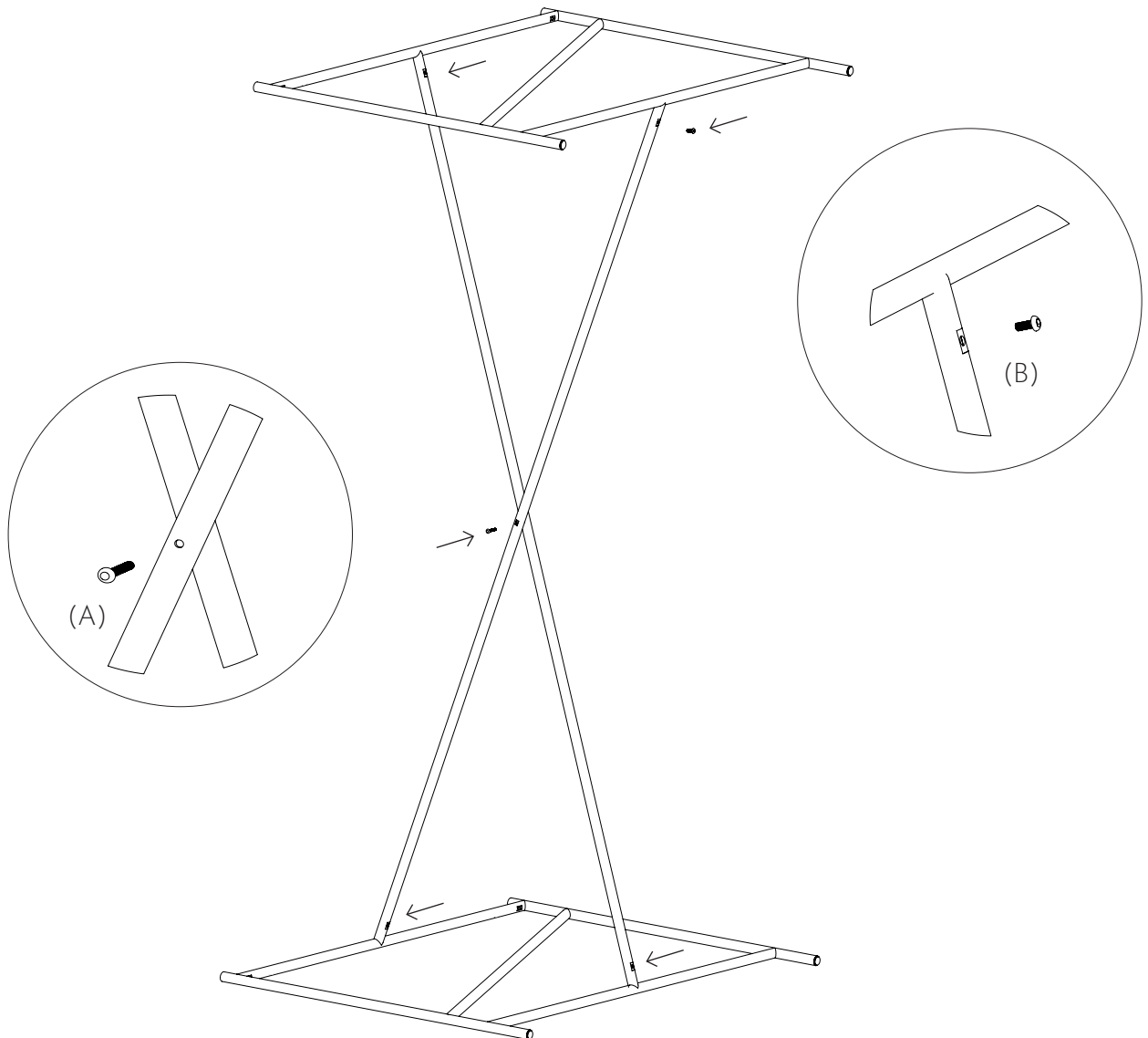
2



HANDVÄRK

Dining Table 230

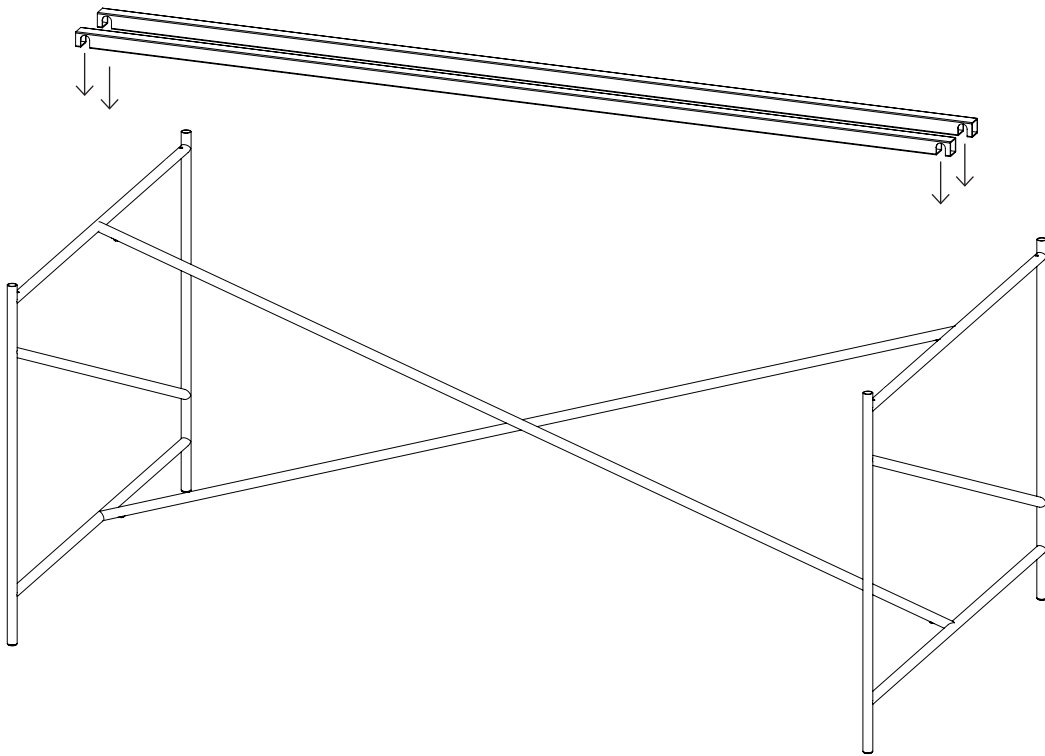
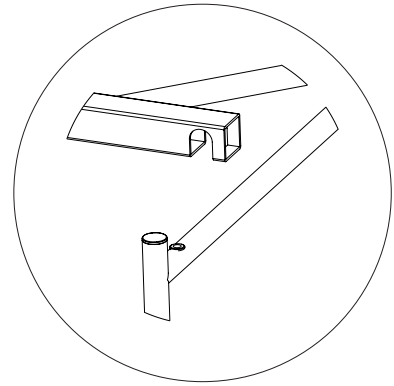
3



HANDVÄRK

Dining Table 230

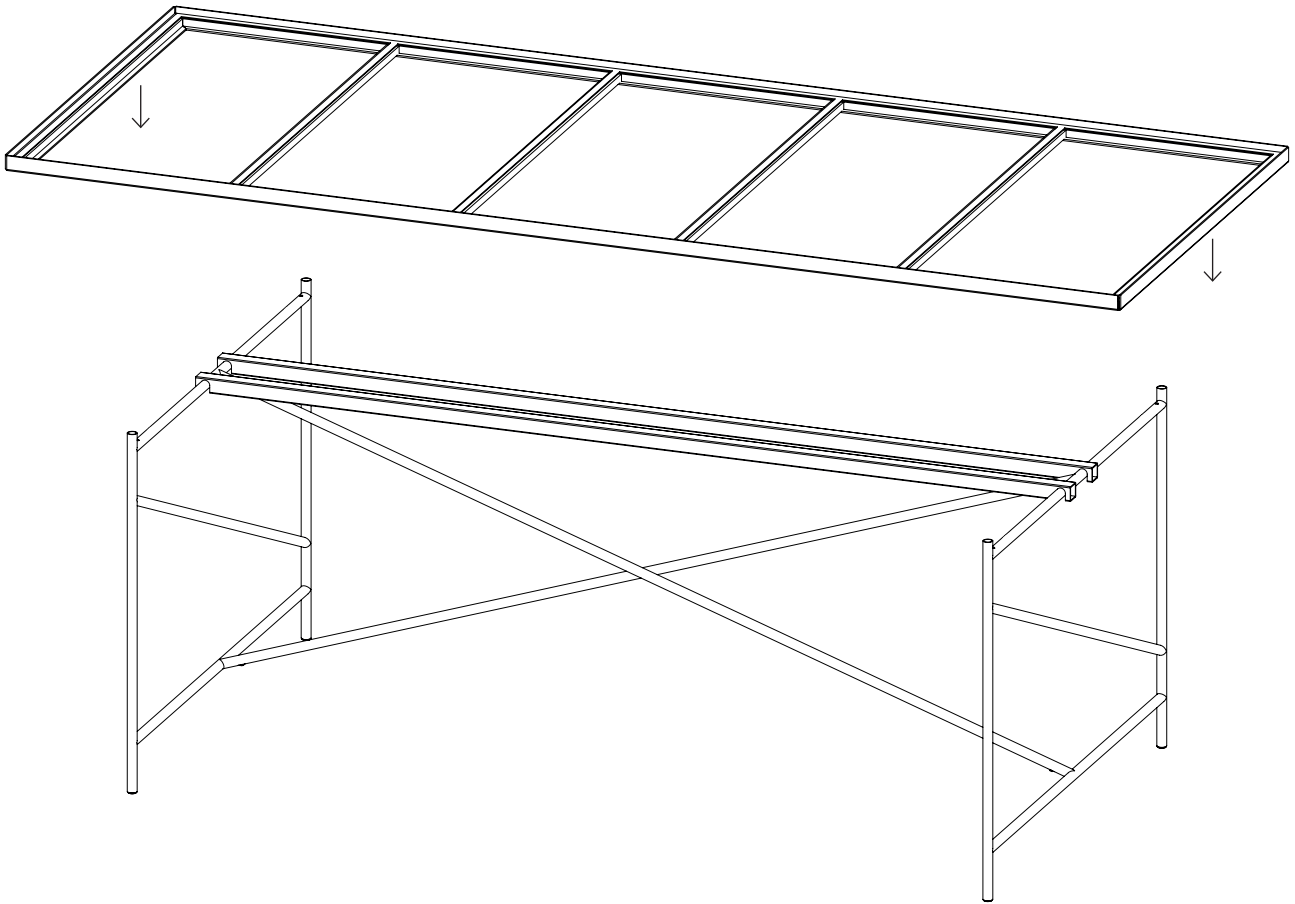
4



HANDVÄRK

Dining Table 230

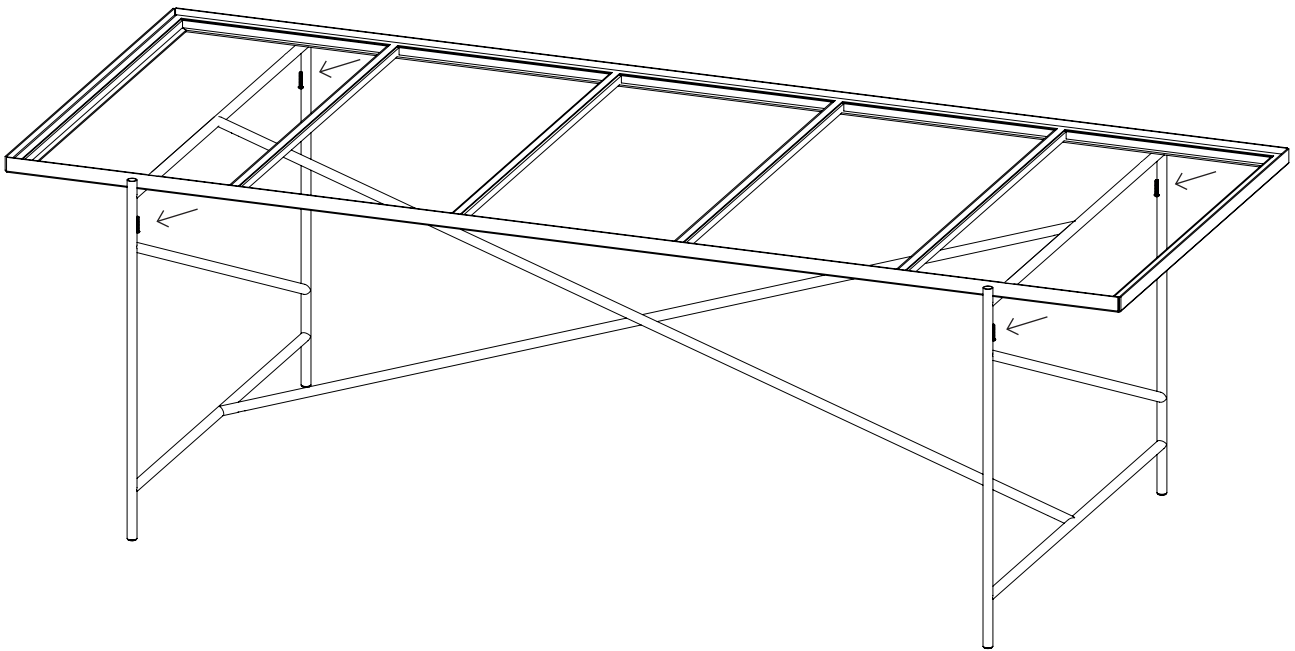
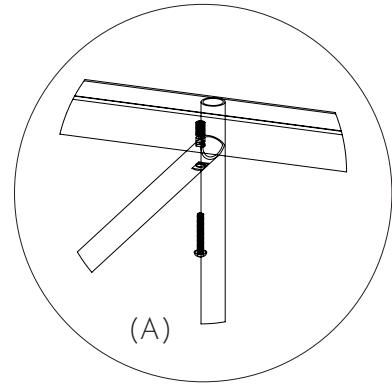
5



HANDVÄRK

Dining Table 230

6

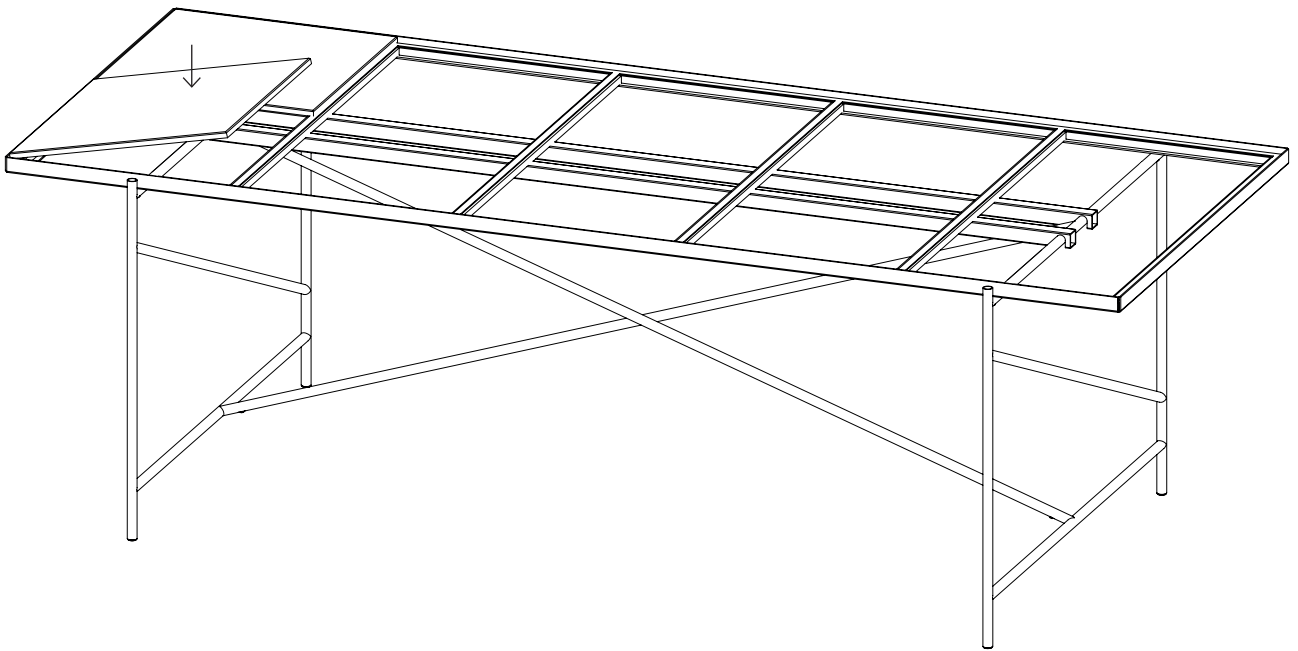


Tighten all screws again once finished

HANDVÄRK

Dining Table 230

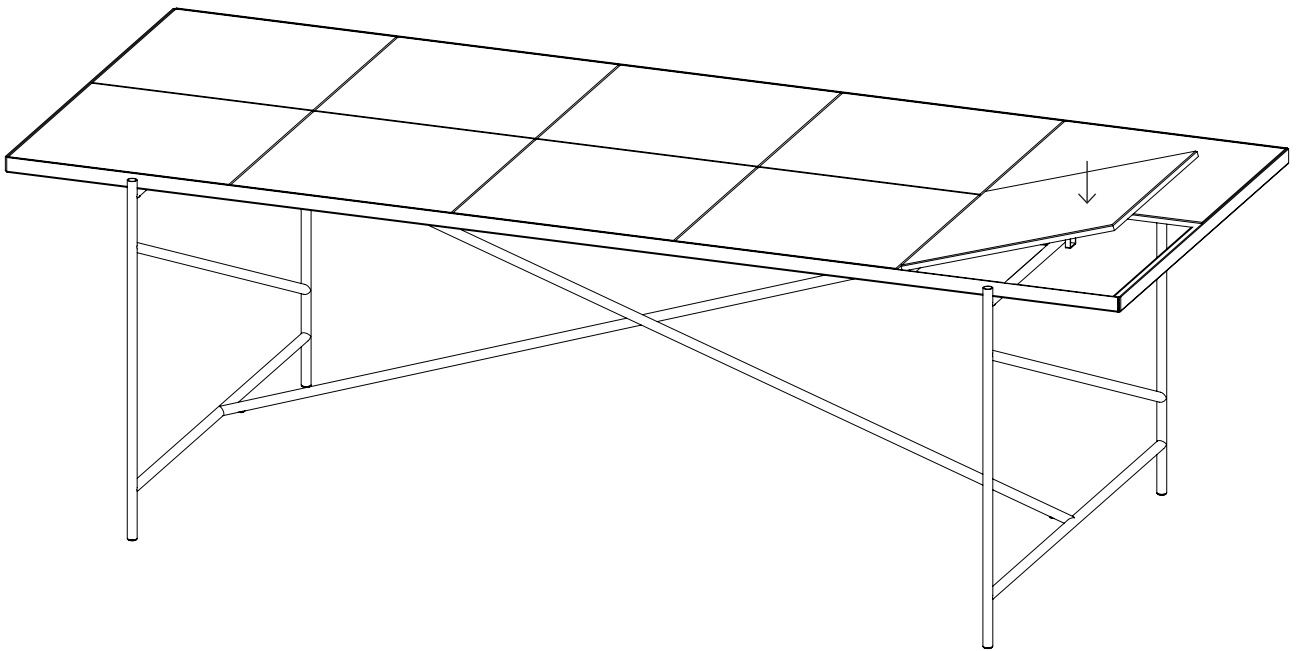
7



HANDVÄRK

Dining Table 230

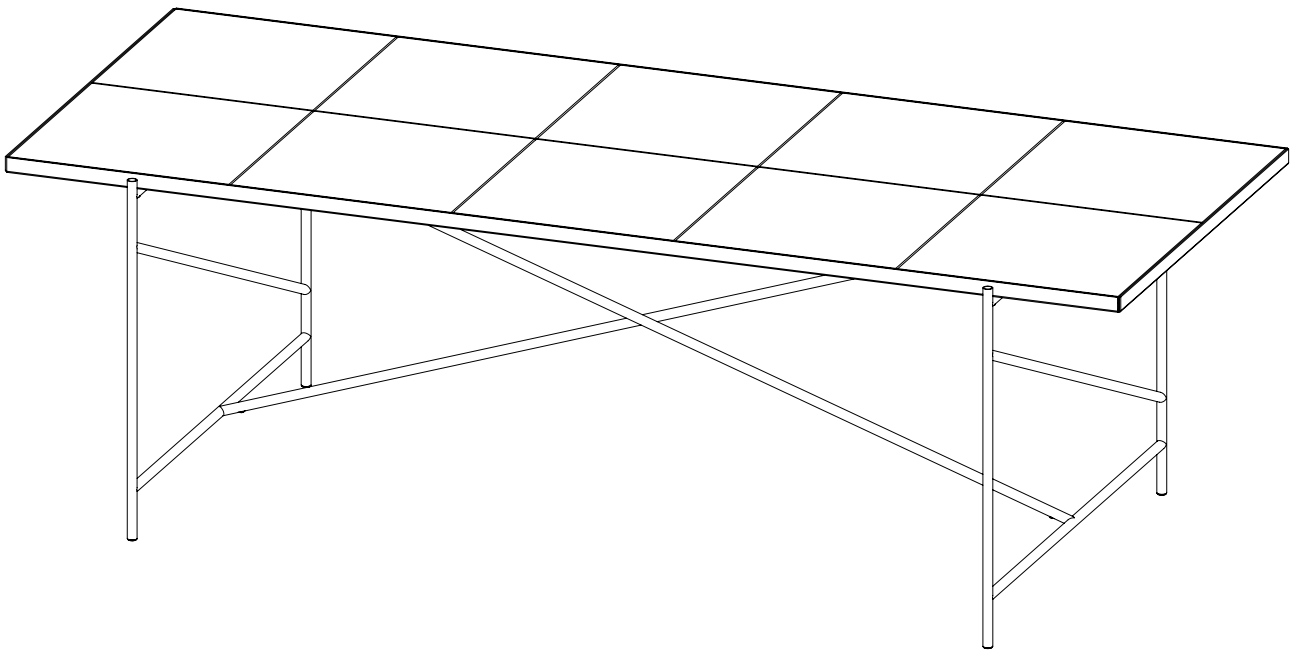
8



HANDVÄRK

Dining Table 230

9



HANDVÄRK

HANDVÄRK ApS | Aarhusgade 136A | 2150 Nordhavn | Copenhagen Denmark
info@handvark.com | +45 31 777 943 | www.handvark.com