

Original Side Table

Designed by Emil Thorup



Description

A chic little table that offers endless possibilities and is equally beautiful used as a nightstand or as a side table in any room. This table is slightly higher than the rest of the coffee table collection and can add a layered look to either Original Coffee Table 60 or Coffee Table 90.

Designer & Year

Emil Thorup 2015

Type

Side Table

Use

Indoor

Country of Production

Lithuania

Pre assembled

No

Materials and Production Process

TIG and MIG welded steel tubes and sheet with powder coat finish suitable for outdoor use. Plastic Glides. Natural marble tiles with honed or polished finish.

Delivery

2 Packages

Total Gross Weight: 12.7 kg

Total Volume: 0.16 m³

Warranty: Standard (See T&Cs)

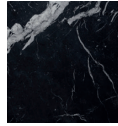
Custom

Frame colour change upon request

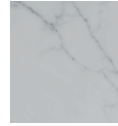
Care and Maintenance

Please visit handvark.com to find full care instructions for all materials.

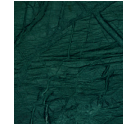
Marble Options



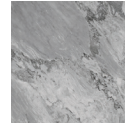
Black Marble
Honed



White Marble
Honed



Green Marble
Polished

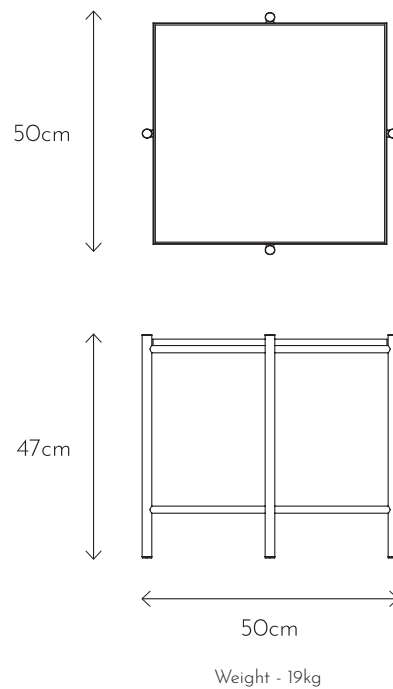


Grey Marble
Honed

Frame Options



Black



HANDVÄRK

HANDVÄRK ApS
Aarhusgade 136A Nordhavn Denmark 2150
info@handvark.com | www.handvark.com