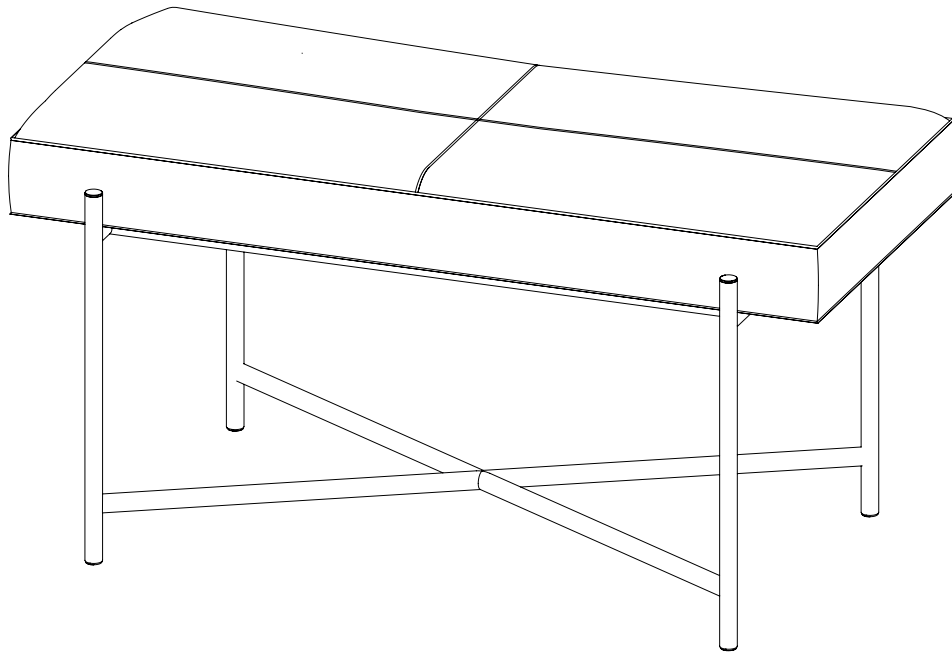


# HANDVÄRK

---



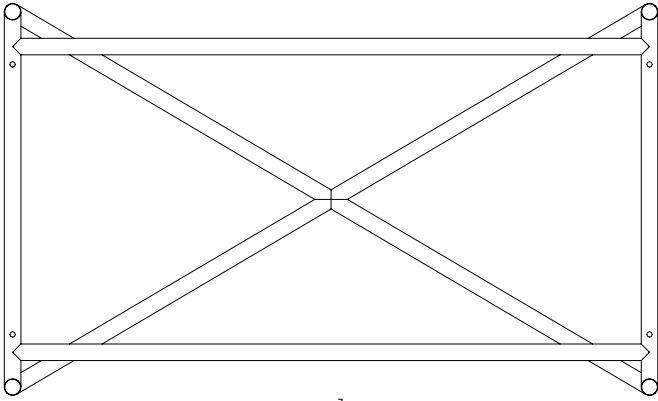
## Piano Bench Assembly Instructions

---

# HANDVÄRK

Piano Bench

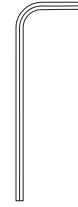
---



x 1



x 4



x 1



x 1

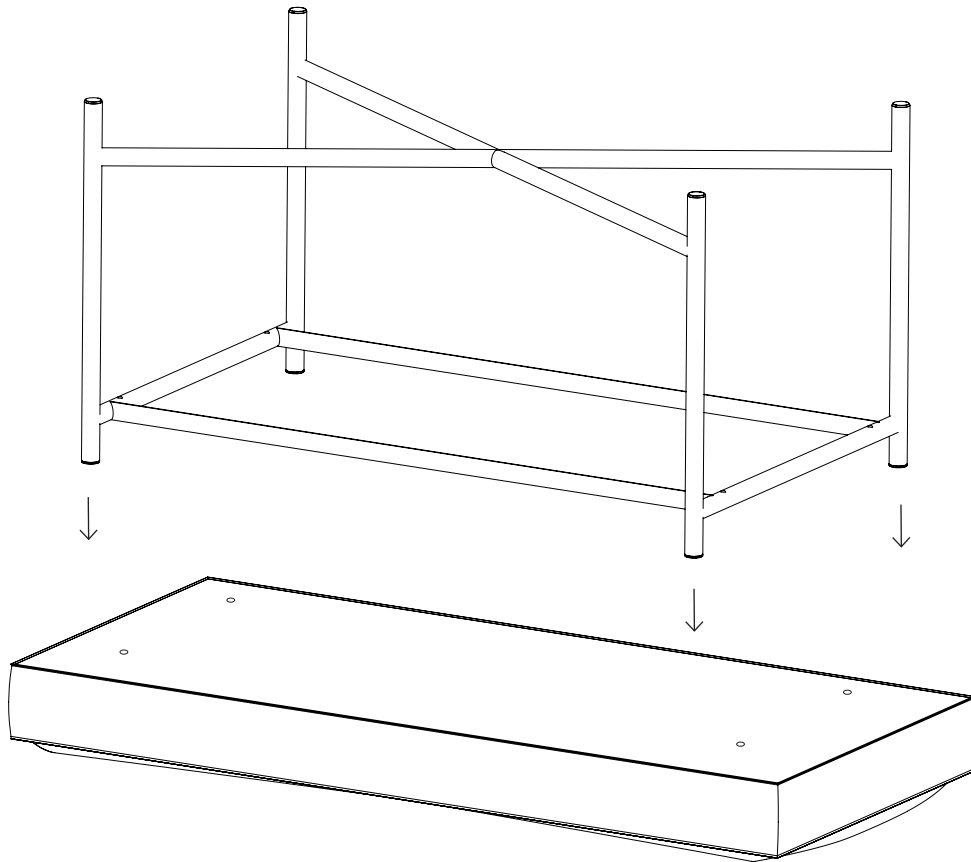
---

# HANDVÄRK

Piano Bench

---

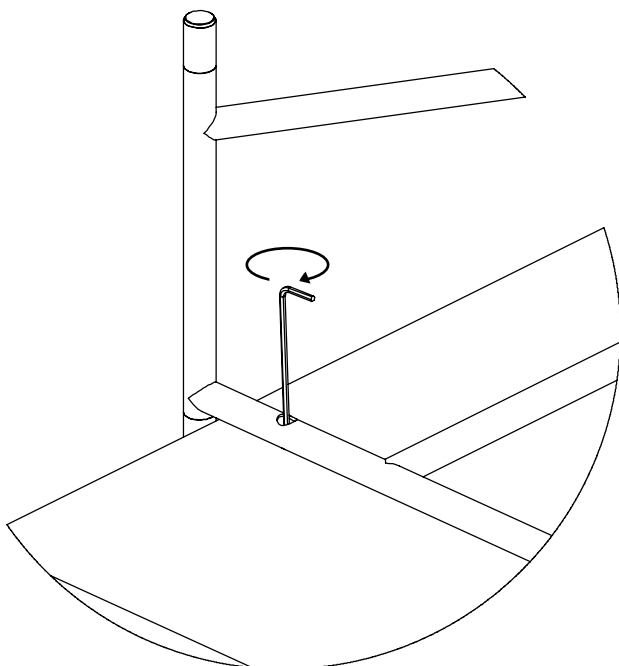
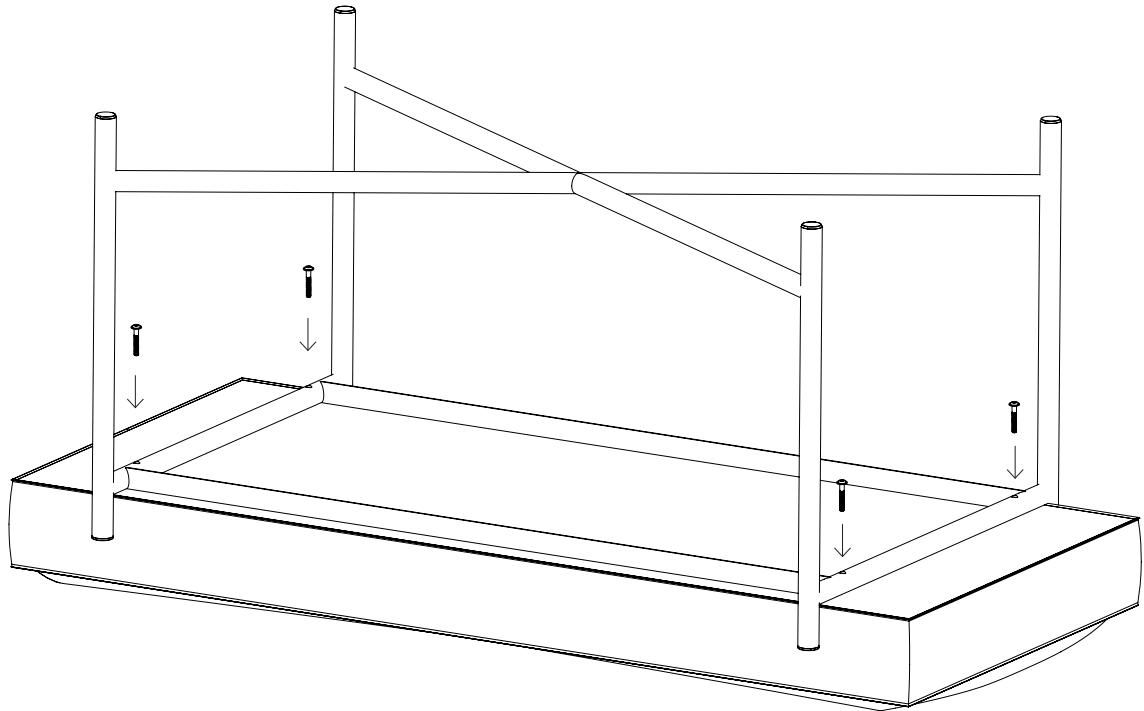
1



# HANDVÄRK

## Piano Bench

2



Using the hex key only, turn each screw slightly into the thread so it is secure. Do not screw tightly until all screws are placed in the holes.

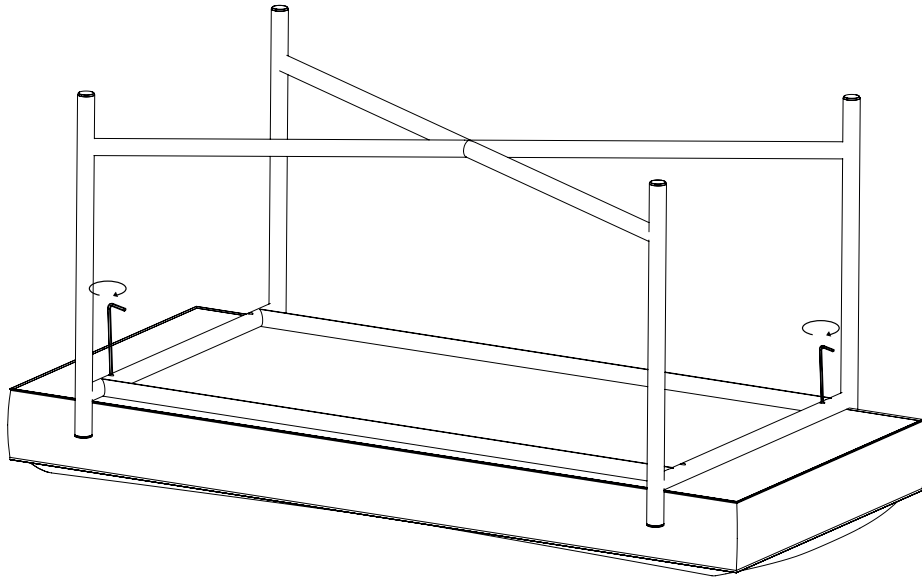
# HANDVÄRK

## Piano Bench

---

3

Tighten screws using the hex key after they have all been placed in the frame.

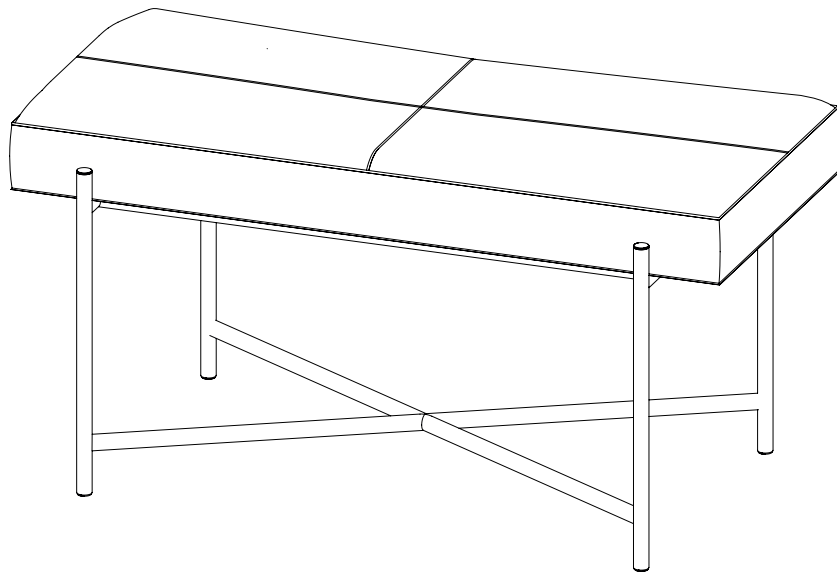


# HANDVÄRK

Piano Bench

---

4



# HANDVÄRK

HANDVÄRK ApS | Aarhusgade 136A | 2150 Nordhavn | Copenhagen Denmark  
info@handvark.com | +45 31 777 943 | www.handvark.com