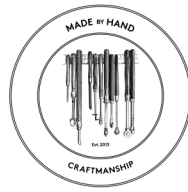


2017



VALID FROM APRIL 1ST

MADE BY HAND

DATASHEET

KNIT-WIT SERIES

THE KNIT-WIT LAMP

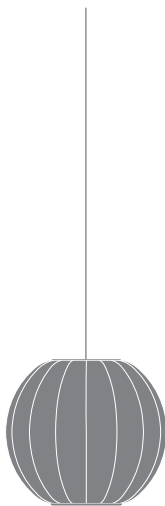


CLOSE-UP

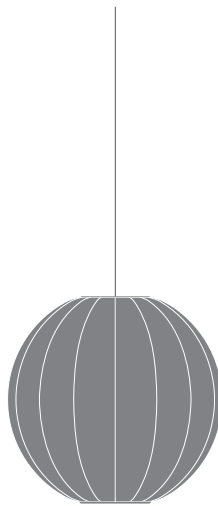


KNIT-WIT SERIES

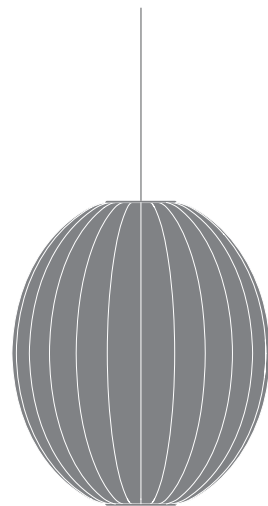
KW45



KW60



KWH65



KNIT-WIT / KW45



The Knit-Wit lamp is designed by Danish design studio ISKOS-BERLIN. Though knitting is an old craft, it hasn't yet been exploited for modern design lamps, and this was the fundamental aspiration for Made By Hand. The knitted materiality of the Knit-Wit lamp distributes light through the yarn's pattern, making each lamp distinctive and decorative. The Knit-Wit family of lamps with their basic shape, warmth and lightness, range of sizes and wide color palette can easily and naturally find their place in any interior – from private houses to public spaces.

Design: ISKOS-BERLIN

Year: 2017

Structure: Aluminium

Yarn: Flame retardent polyester

Shade colours



Silver



Burgundy



Light
Pink



Heather
Green

Measurements

Shade height: 1250 mm

Shade diameter: 450 mm

Cord length: 3000 mm

Certifications

CE-Certified

IP20

Recommended Lightsource

Socket: E27

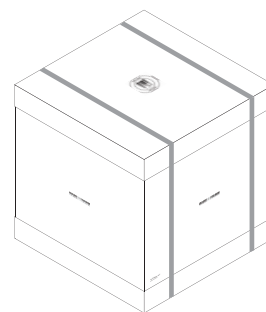
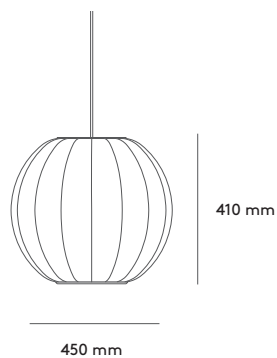
Max wattage: 60 W

Packaging Measurements

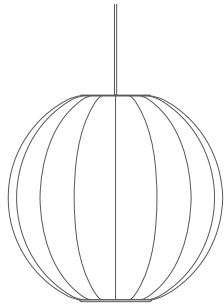
L: 510 x W: 470 x H: 475 mm

Weight (lamp + packaging = total)

Total: 2,50 kg



KNIT-WIT / KW60



The Knit-Wit lamp is designed by Danish design studio ISKOS-BERLIN. Though knitting is an old craft, it hasn't yet been exploited for modern design lamps, and this was the fundamental aspiration for Made By Hand. The knitted materiality of the Knit-Wit lamp distributes light through the yarn's pattern, making each lamp distinctive and decorative. The Knit-Wit family of lamps with their basic shape, warmth and lightness, range of sizes and wide color palette can easily and naturally find their place in any interior – from private houses to public spaces.

Design: ISKOS-BERLIN

Year: 2017

Structure: Aluminium

Yarn: Flame retardent polyester

Shade colours



Silver



Burgundy



Light
Pink



Heather
Green

Measurements

Shade height: 600 mm

Shade diameter: 600 mm

Cord length: 3000 mm

Certifications

CE-Certified

IP20

Recommended Lightsource

Socket: E27

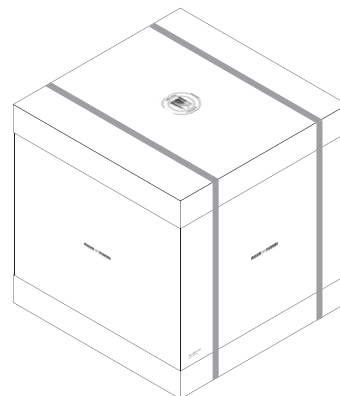
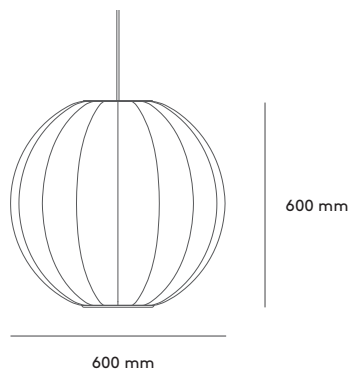
Max wattage: 60 W

Packaging Measurements

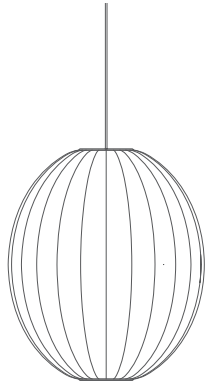
L: 635 x W: 590 x H: 630 mm

Weight (lamp + packaging = total)

Total: 3,50 kg



KNIT-WIT / KWH65



The Knit-Wit lamp is designed by Danish design studio ISKOS-BERLIN. Though knitting is an old craft, it hasn't yet been exploited for modern design lamps, and this was the fundamental aspiration for Made By Hand. The knitted materiality of the Knit-Wit lamp distributes light through the yarn's pattern, making each lamp distinctive and decorative. The Knit-Wit family of lamps with their basic shape, warmth and lightness, range of sizes and wide color palette can easily and naturally find their place in any interior – from private houses to public spaces.

Design: ISKOS-BERLIN

Year: 2017

Structure: Aluminium

Yarn: Flame retardent polyester

Shade colours



Silver



Burgundy



Light
Pink



Heather
Green

Measurements

Shade height: 820 mm

Shade diameter: 650 mm

Cord length: 3000 mm

Certifications

CE-Certified

IP20

Recommended Lightsource

Socket: E27

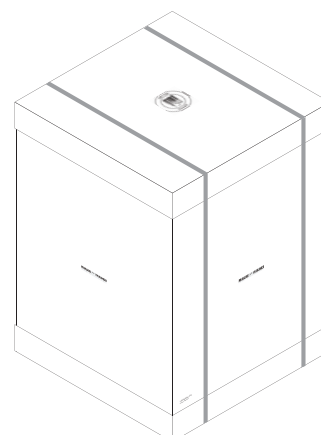
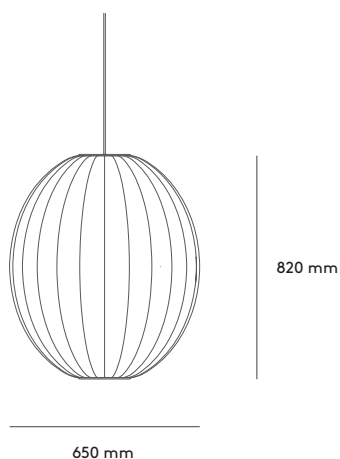
Max wattage: 60 W

Packaging Measurements

L: 705 x W: 680 x H: 910 mm

Weight (lamp + packaging = total)

Total: 4,55 kg



MADE BY HAND

GET IN TOUCH

MADE by HAND ApS
Tømmergravsgade 4B
2450 Copenhagen SV
Denmark

info@madebyhand.dk
+45 70 20 84 64

LATEST NEWS

More at
www.madebyhand.dk

