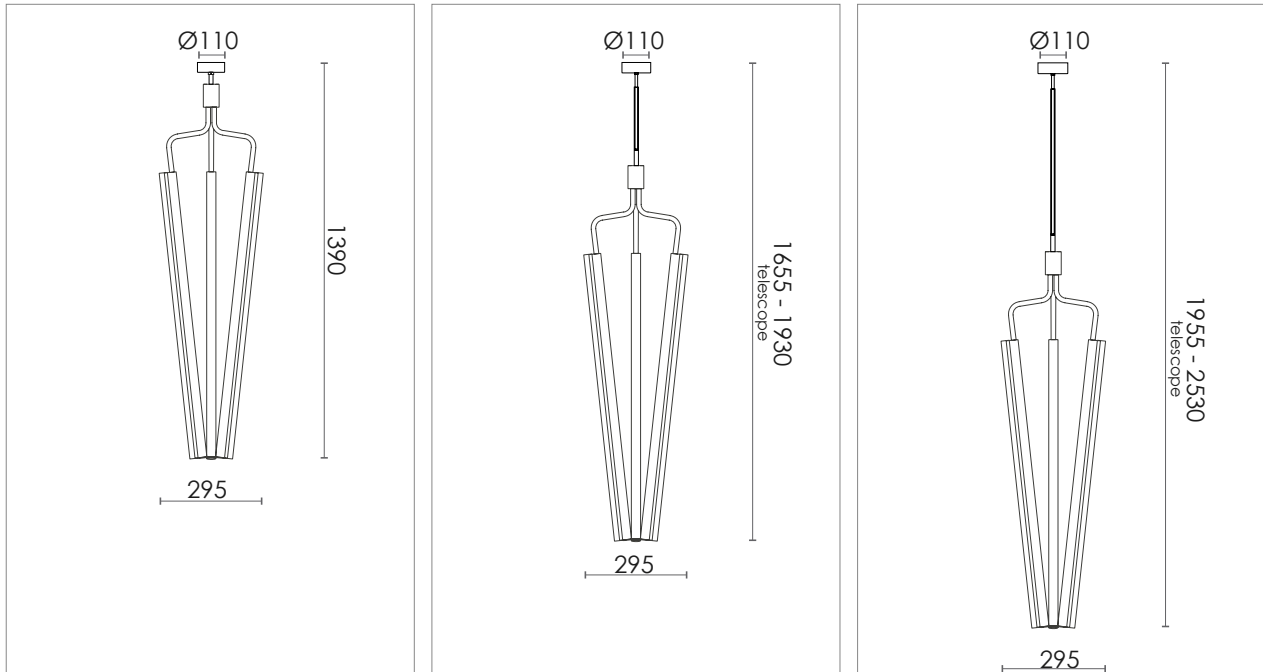


# ANGEL 3 1000 CHANDELIER



## DESIGN SPECIFICATIONS

<b>DIMENSIONS (mm)</b>	W 295 x H 1390 W 295 x H 1655-1930 W 295 x H 1955-2530
<b>WEIGHT (kg)</b>	- / - / -
<b>MATERIALS</b>	THE LAMP IS MADE FROM CLEAR LACQURED BRASS, STEEL OR POWDER COATED STEEL.
<b>CORD (mm)</b>	NO
<b>ENVIRONMENT</b>	INDOOR
<b>DESIGN BY</b>	NICLAS HOFLIN
<b>DESIGN YEAR</b>	2019

## ELECTRICAL SPECIFICATIONS

<b>SWITCH</b>	NO
<b>BULB HOLDER</b>	S14S
<b>LIGHT SOURCE</b>	INCLUDED 3 X 15 W DIMMABLE LED - 2700 K
<b>DIMMABLE</b>	YES
<b>MAX (W)</b>	45 W LED
<b>VOLTAGE</b>	230 / 240
<b>CLASS</b>	1
<b>IP</b>	20

## COLOURS

	<b>BLACK</b> H 640 ART.NO. 913201005	<b>H 905-1180</b> ART.NO. 913202005	<b>H 1205-1780</b> ART.NO. 913203005
	<b>BRASS</b> H 640 ART.NO. 913201001	<b>H 905-1180</b> ART.NO. 913202001	<b>H 1205-1780</b> ART.NO. 913203001
	<b>BRONZE-COLOR</b> H 640 ART.NO. 913201223	<b>H 905-1180</b> ART.NO. 913202223	<b>H 1205-1780</b> ART.NO. 913203223
	<b>STEEL</b> H 640 ART.NO. 913201500	<b>H 905-1180</b> ART.NO. 913202500	<b>H 1205-1780</b> ART.NO. 913203500