

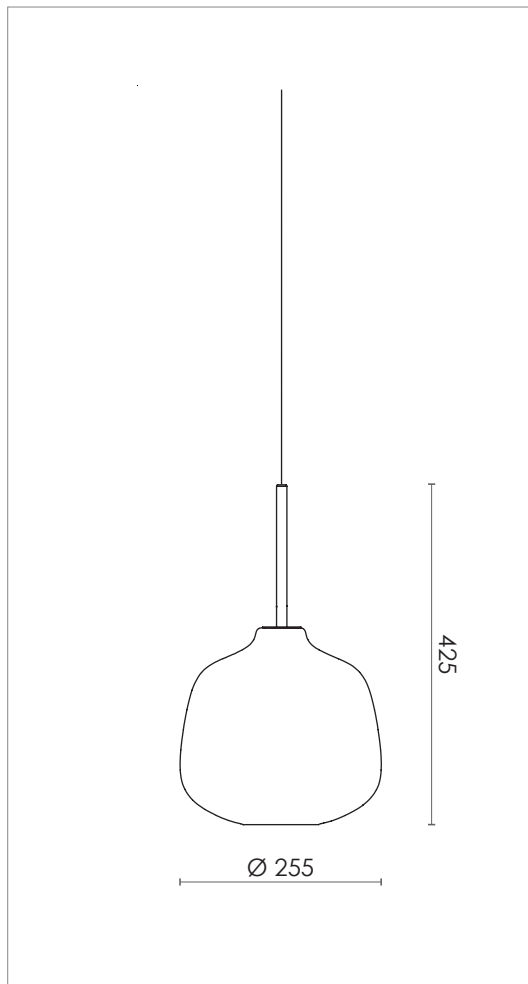
HOLBORN 1 PENDANT

DESIGN SPECIFICATIONS

DIMENSIONS (mm)	H 425 x Ø 255
WEIGHT (kg)	-
MATERIALS	THE LAMP IS MADE FROM GLASS AND CLEAR LACQURED BRASS OR STEEL.
CORD (mm)	BLACK TEXTILE - L 3750
ENVIRONMENT	INDOOR
DESIGN BY	NICLAS HOFLIN
DESIGN YEAR	2016

ELECTRICAL SPECIFICATIONS

SWITCH	NO
BULB HOLDER	E27
LIGHT SOURCE	INCLUDED 8,5 W LED DIMMABLE - 2700 K
DIMMABLE	YES
MAX (W)	10 W LED
VOLTAGE	230 / 240
CLASS	1
IP	20



COLOURS



BRASS / OPAL GLASS

ART.NO. 215531001



STEEL / OPAL GLASS

ART.NO. 215531500