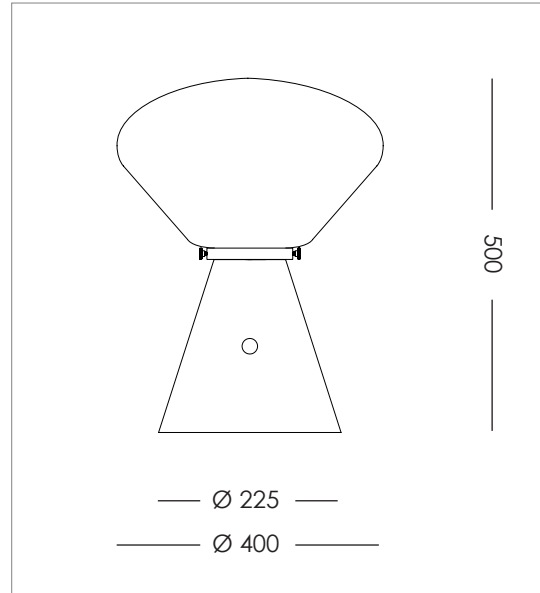


OTILA TABLE

DESIGN SPECIFICATIONS

DIMENSIONS (mm)	H 500 x Ø 400 - BASE Ø 225
WEIGHT (kg)	6,0
MATERIALS	THE LAMP IS MADE OF BRUSHED, LACQUERED ALUMINUM AND OPAL GLASS.
CORD (mm)	BLACK TEXTILE - L 2000
ENVIRONMENT	INDOOR
DESIGN BY	NICLAS HOFLIN
DESIGN YEAR	2018



ELECTRICAL SPECIFICATIONS

SWITCH	DIMMER ON LAMP
BULB HOLDER	E 27
LIGHT SOURCE	INCLUDED 15 W LED DIMMABLE - 2700 K
DIMMABLE	YES
MAX (W)	15 W LED
VOLTAGE	230 / 240
CLASS	2
IP	20

COLOURS



BLACK /
OPAL-
GLASS

ART.NO. 515101005



BEIGE RED /
OPAL-
GLASS

ART.NO. 515101215



CLAY GREY /
OPAL-
GLASS

ART.NO. 515101115