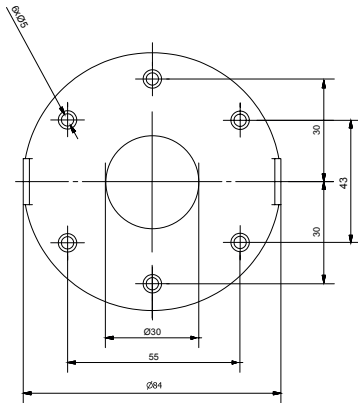


Rubn®

DESIGN NICLAS HOFLIN

— INSTALLATION INSTRUCTION —

VOLUME 2 WALL DIRECT SMALL



1. Attach wall plate by using screws (included)
Make sure that the plate is mounted straight.
2. Connect cables from wall socket to the wall cup
3. Attach wall cup to wall plate by using 2 screws (included)

