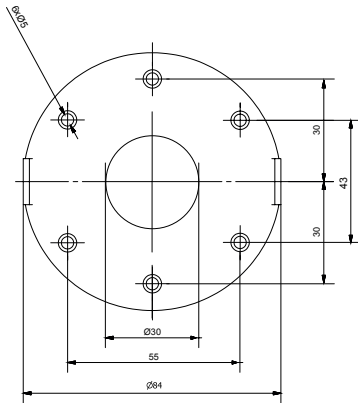


# Rubn®

DESIGN NICLAS HOFLIN

## — INSTALLATION INSTRUCTION —

### VOLUME 2 WALL MEDIUM



1. Attach wall plate by using 4 screws (included)  
Make sure that the plate is mounted straight.
2. Attach wall cup to wall plate by using 2 screws (included)

